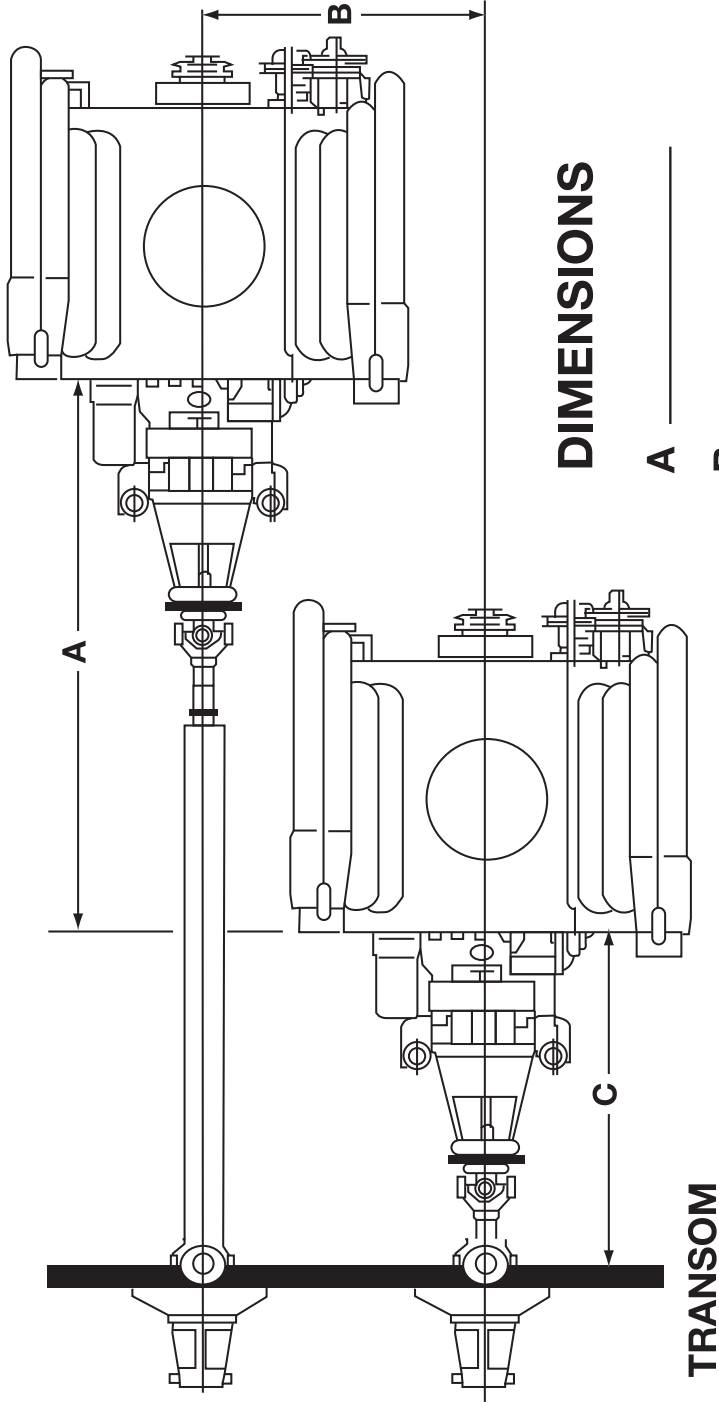


ALL MEASUREMENTS MUST BE MADE AT THE CRANKSHAFT CENTERLINE



STANDARD STAGGER
TOP VIEW
MOUNTED ENGINES

BELL HOUSING MOUNTING SURFACE TO INSIDE
TRANSOM AT THE CRANKSHAFT CENTER

SIGNATURE _____ DATE _____

FAX THIS PAGE TO CUSTOM MARINE AT (920) 722-4530