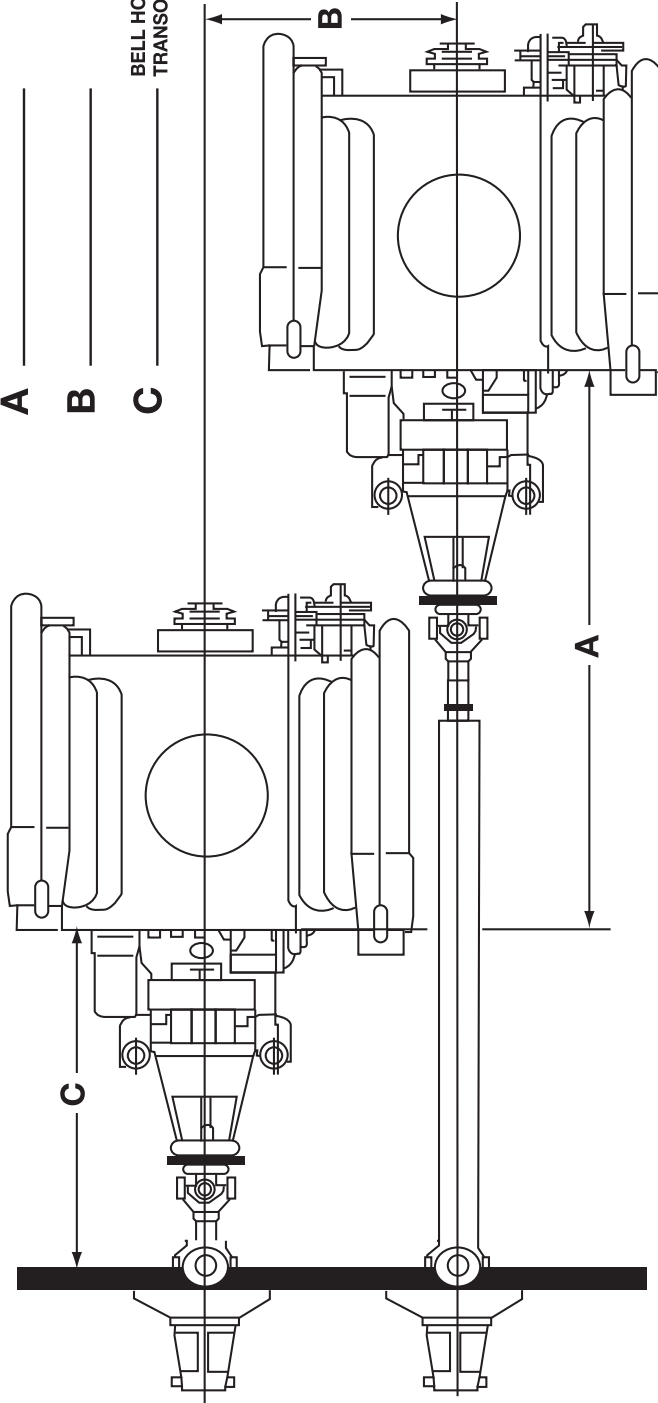


ALL MEASUREMENTS MUST BE MADE AT THE CRANKSHAFT CENTERLINE

DIMENSIONS

A _____
B _____
C _____

BELL HOUSING MOUNTING SURFACE TO INSIDE
TRANSOM AT THE CRANKSHAFT CENTER



**REVERSE STAGGER
TOP VIEW
MOUNTED ENGINES**

TRANSOM

SIGNATURE _____ DATE _____

FAX THIS PAGE TO CUSTOM MARINE AT (920) 722-4530