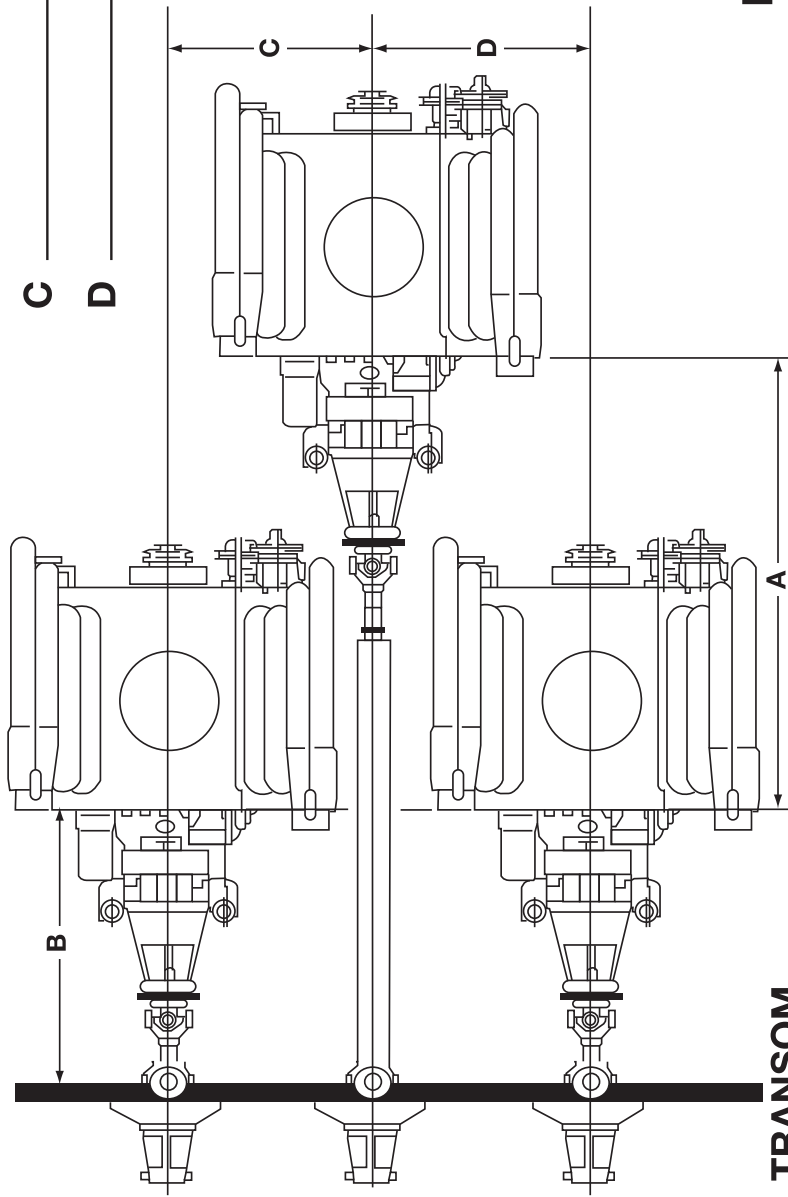


CMI FORM #11

ALL MEASUREMENTS MUST BE MADE AT THE CRANKSHAFT CENTERLINE

DIMENSIONS

- A _____ BELL HOUSING MOUNTING SURFACE TO BELL HOUSING MOUNTING SURFACE
- B _____ BELL HOUSING MOUNTING SURFACE TO INSIDE TRANSOM AT THE CRANKSHAFT CENTER
- C _____
- D _____



TRIPLE
TOP VIEW
MOUNTED ENGINES

SIGNATURE _____ DATE _____

FAX THIS PAGE TO CUSTOM MARINE AT (920) 722-4530