

4

3

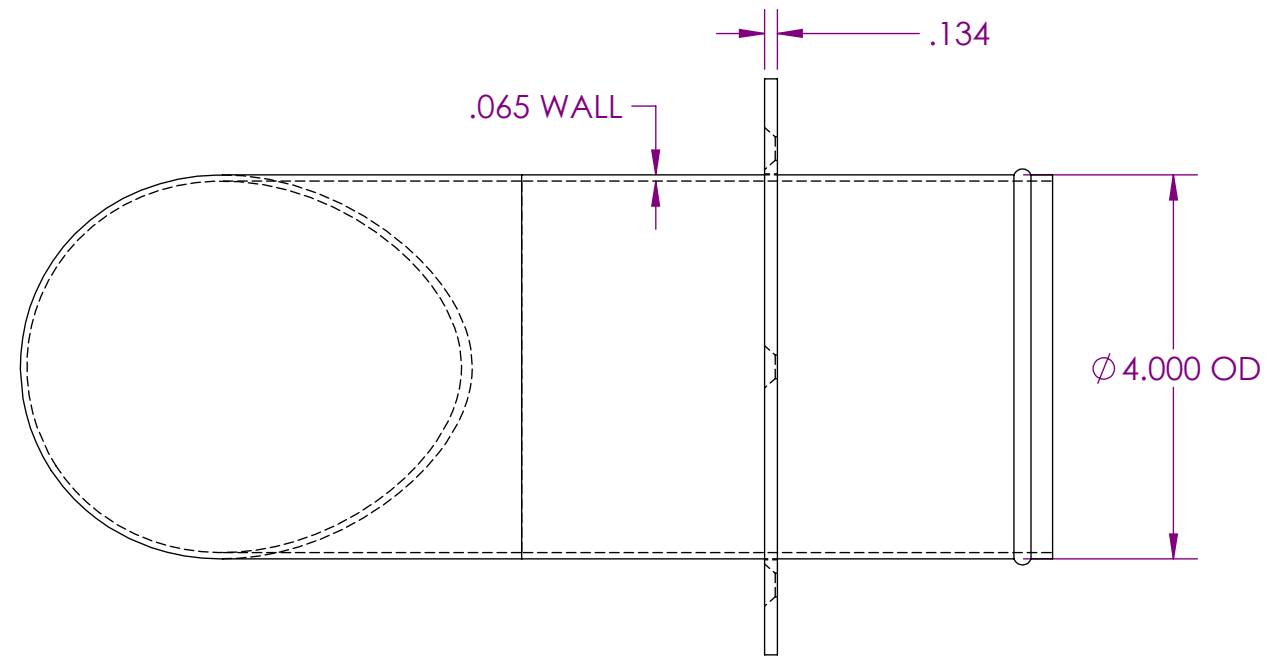
2

CMI MATERIAL NUMBER

ITEM NO.	PART NUMBER	DESCRIPTION	Default/ QTY.
1	15096	ELBOW OUTLET 4"	1
2	28079	TRANSOM RING, 4" ID	1

D

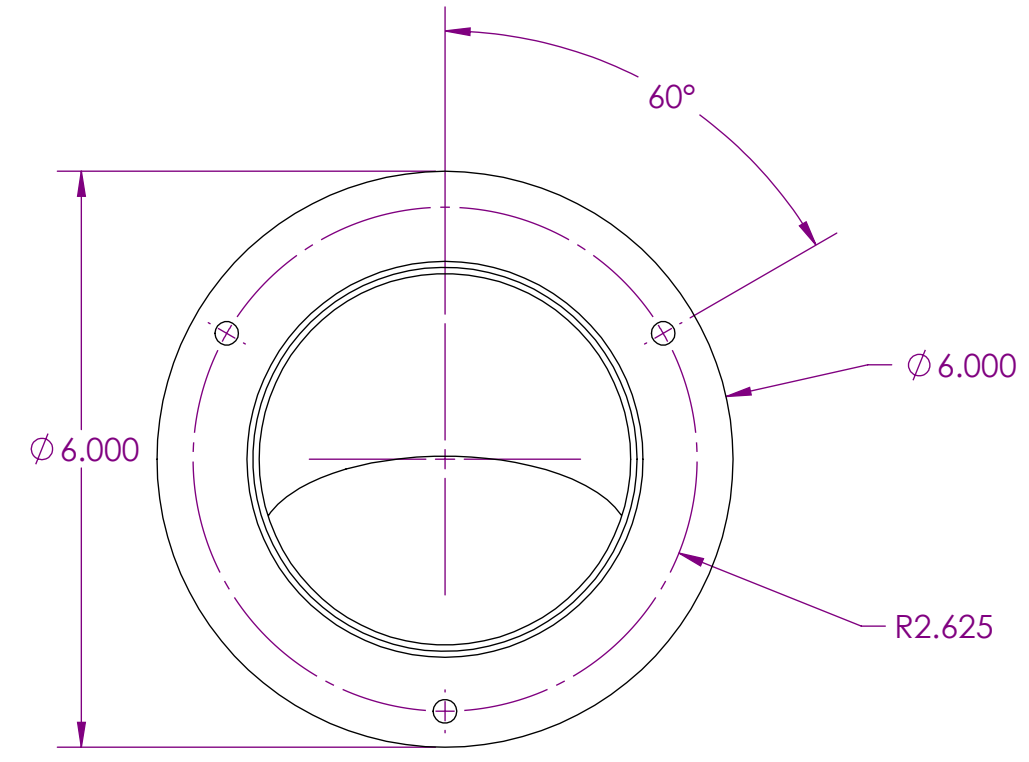
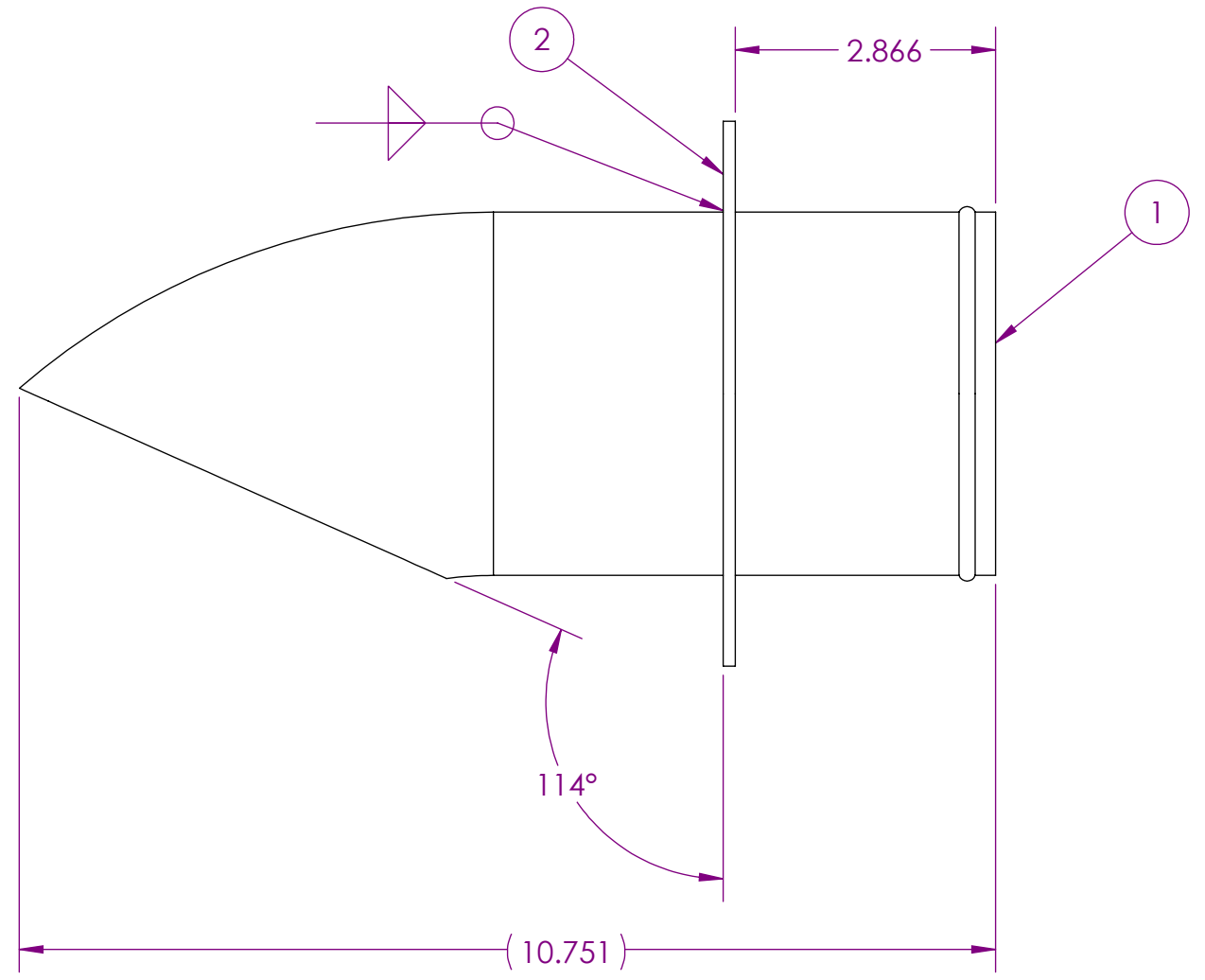
D



STRAIGHTEN FLANGE AFTER WELD

C

C



B

B

A

A

REVISIONS					
ENN #	REV.	DESCRIPTION	BY	CHK'D	DATE
425	A	NEW PRODUCTION PART	TJP		5/16/2014

	DEPARTMENT		CUSTOM MARINE INCORPORATED		
			NEENAH, WI		
PREPARED TJP 5/16/2014 CHECKED ENGINEER	DESCR.		MALIBU TIP 4.0		
UNLESS OTHERWISE SPECIFIED DIMENSIONS ARE IN INCHES DIMENSIONAL TOLERANCING: 2 PLACE ±.03 3 PLACE ±.005 ANGLES ±1°	CUSTOM MARINE INCORPORATED RESERVES PROPRIETARY RIGHTS TO THIS DRAWING AND THE DATA SHOWN THEREON. SAID DRAWING AND/OR DATA ARE CONFIDENTIAL AND ARE NOT TO BE USED OR REPRODUCED FOR ANY PURPOSE WITHOUT THE WRITTEN CONSENT OF CUSTOM MARINE INCORPORATED.	SIZE B SCALE 1:2	WEIGHT LBS. MATERIAL: 304L	DWG. NO. 39108 SHEET 1 OF 1	REV. A