

4

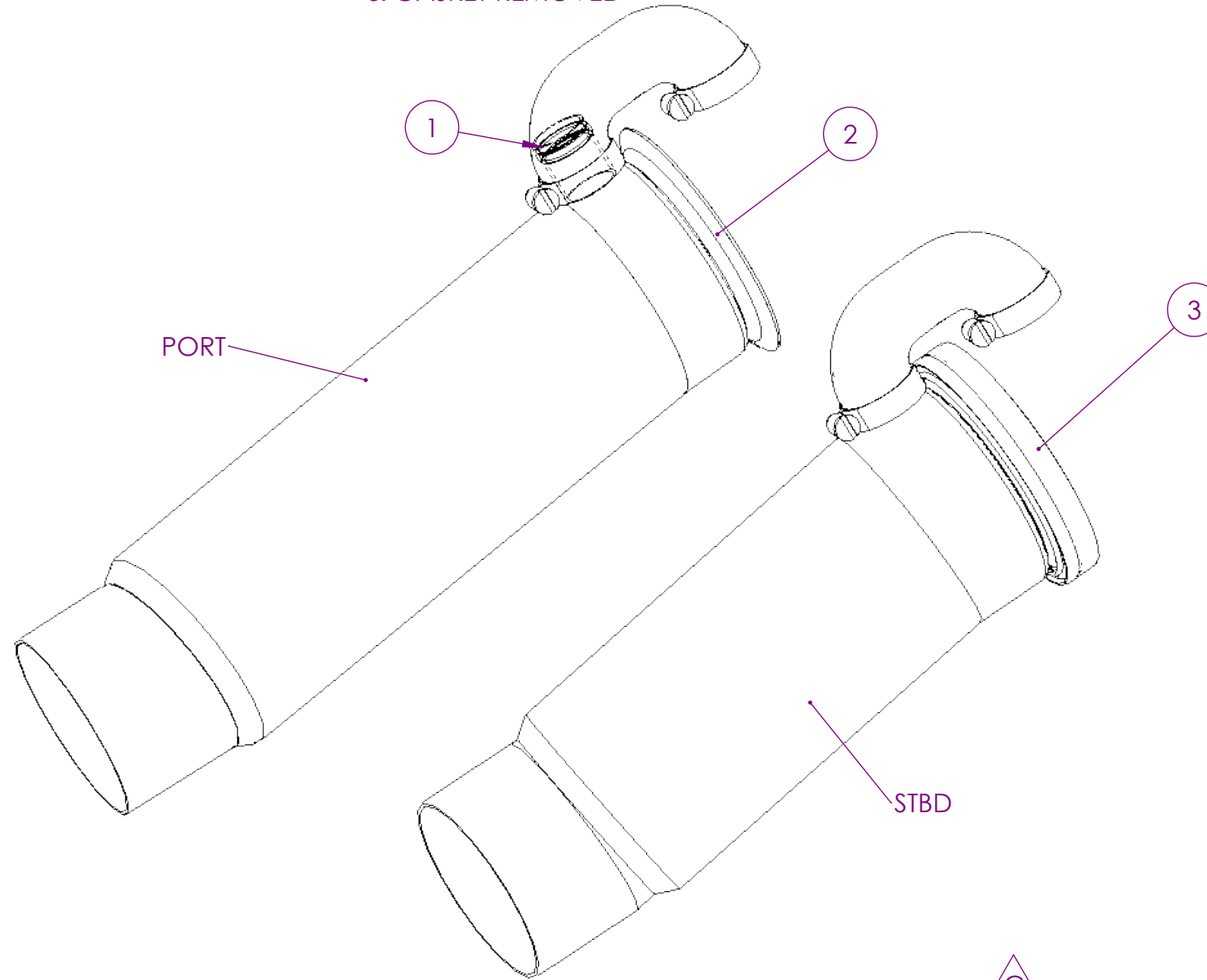
3

2

CMI MATERIAL NUMBER

ITEM NO.	PART NUMBER	DESCRIPTION	QTY.
1	18040	NIPPLE,304L,BEADED,1.13OD,16GA,1.29OAL	2
2	29180	STUB 4 IN FLEX FLARE E-TOP	2
3	36190	CLAMP KIT,MERC TAIL,4.5,NEW	2

\*\*\*VIEW WITH CLAMP & GASKET REMOVED



- NOTES:
1. FINISH: POLISHED
  2. DRIVE: BRAVO (8.08" SETBACK)
  3. USE PREPOLISHED TUBE : 29040 FOR OUTER SECTIONS



DEPARTMENT

**CUSTOM MARINE INCORPORATED**  
NEENAH, WI

PREPARED JJR  
 CHECKED .  
 ENGINEER .

DESCRIPTION: E-TOP FF,STAND BRAVO TIP TAIL

UNLESS OTHERWISE SPECIFIED  
 DIMENSIONS ARE IN INCHES  
 DIMENSIONAL TOLERANCING:  
 2 PLACE ±.03  
 3 PLACE ±.005  
 ANGLES ±1°

CUSTOM MARINE INCORPORATED RESERVES  
 PROPRIETARY RIGHTS TO THIS DRAWING AND  
 THE DATA SHOWN THEREON. SAID DRAWING  
 AND/OR DATA ARE CONFIDENTIAL AND ARE  
 NOT TO BE USED OR REPRODUCED FOR ANY  
 PURPOSE WITHOUT THE WRITTEN CONSENT  
 OF CUSTOM MARINE INCORPORATED.

SIZE <b>B</b>	WEIGHT LBS. <b>15.000</b>	DWG. NO. <b>39750</b>	REV. <b>C</b>
------------------	------------------------------	--------------------------	------------------

THIRD ANGLE PROJECTION	SCALE 1:3	MATERIAL: 304L	SHEET 1 OF 5
------------------------	-----------	----------------	--------------

REVISIONS					
ECN #	REV.	DESCRIPTION	BY	CHK'D	DATE
	A				2/22/2016
544	B	CORRECTED JUMPER LOCATIONS FROM 12 TO 10-2	AMK		1/19/2017
	C	ADJUSTED GRAPHICS & ADDED TRANSOM DIMS	MJG		1/5/2022

4

3

2

1

4

3

2

CMI MATERIAL NUMBER

D

D

C

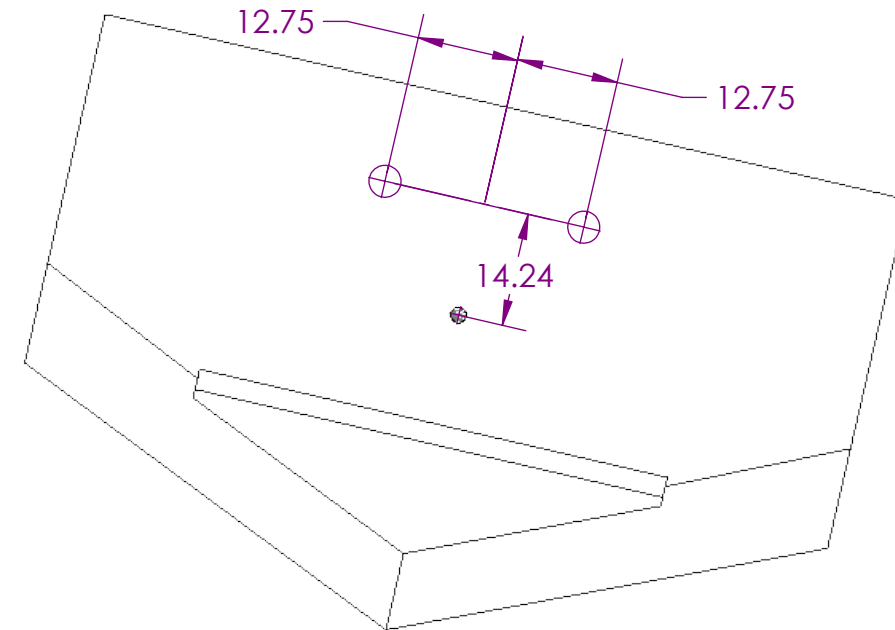
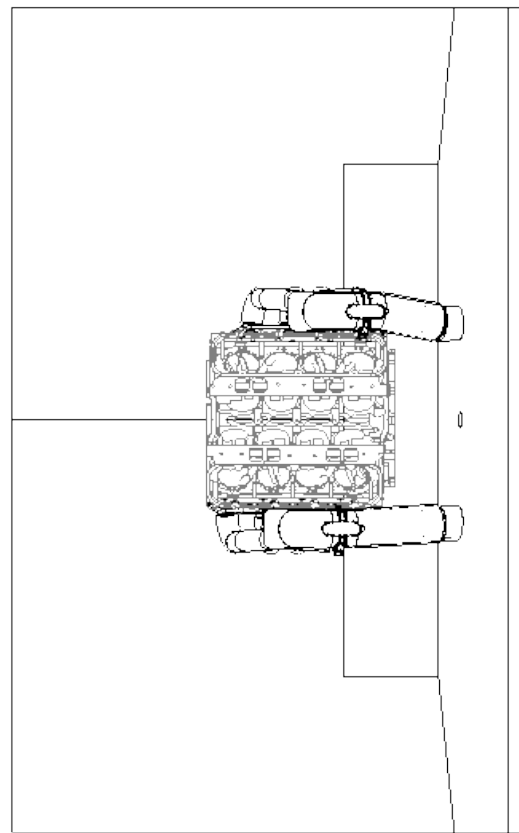
C

B

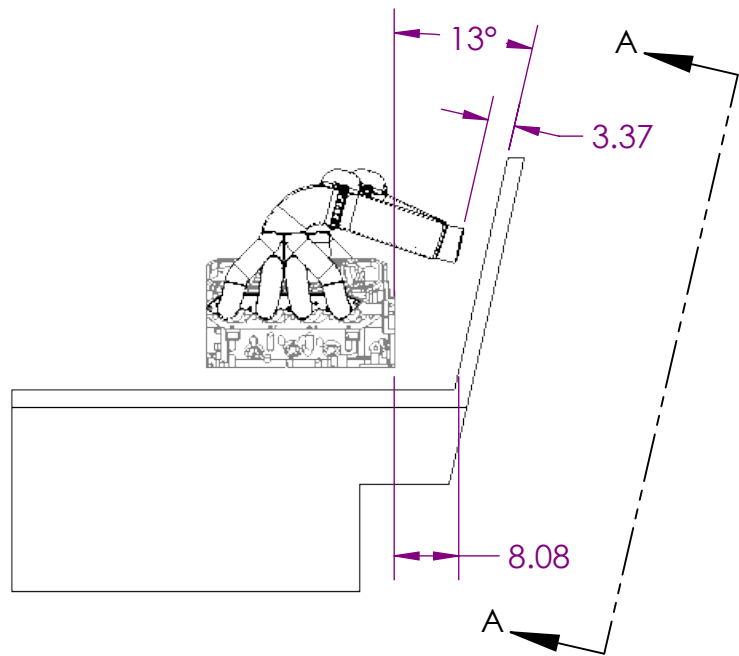
B



A

A



VIEW A-A



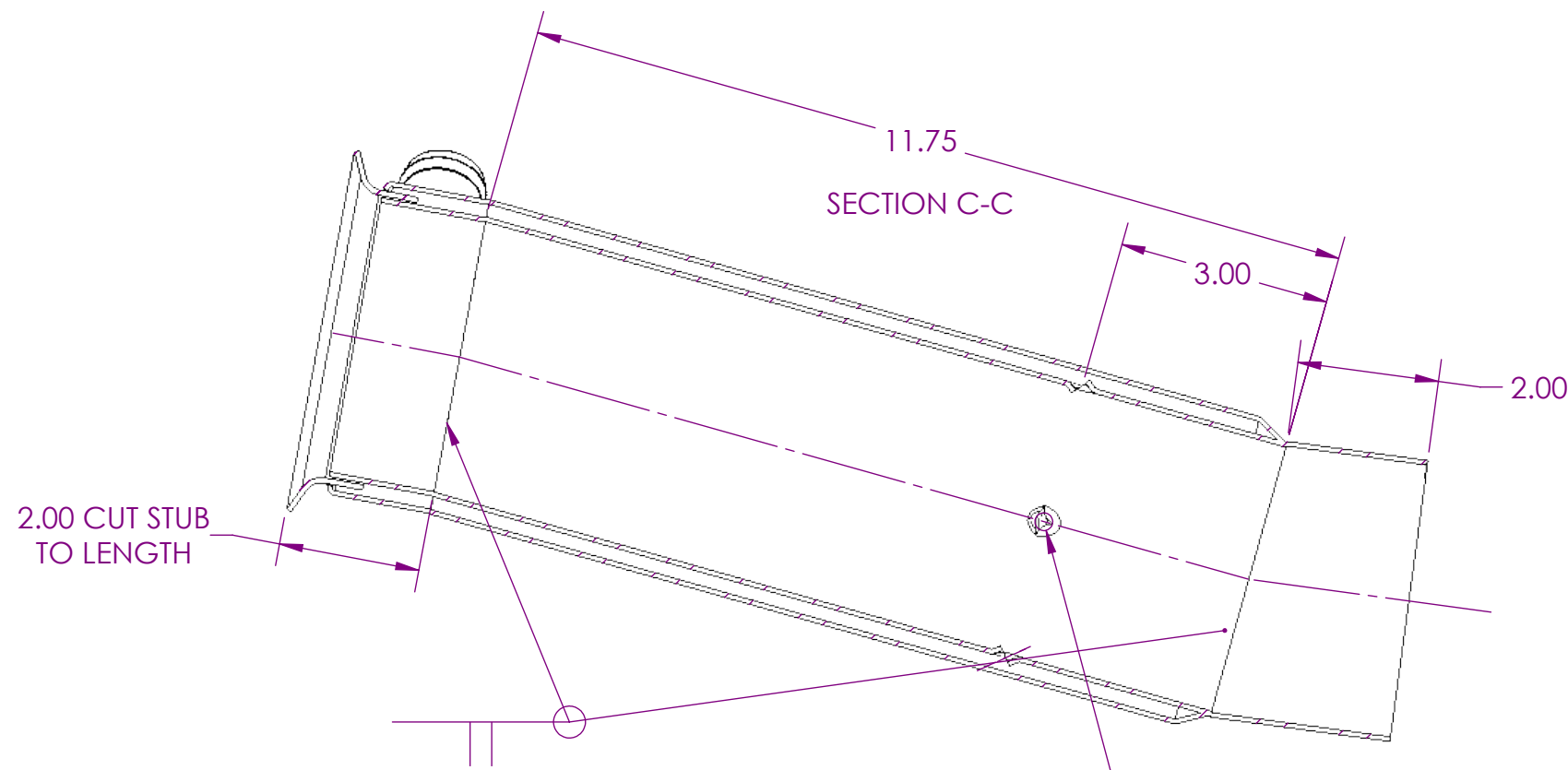
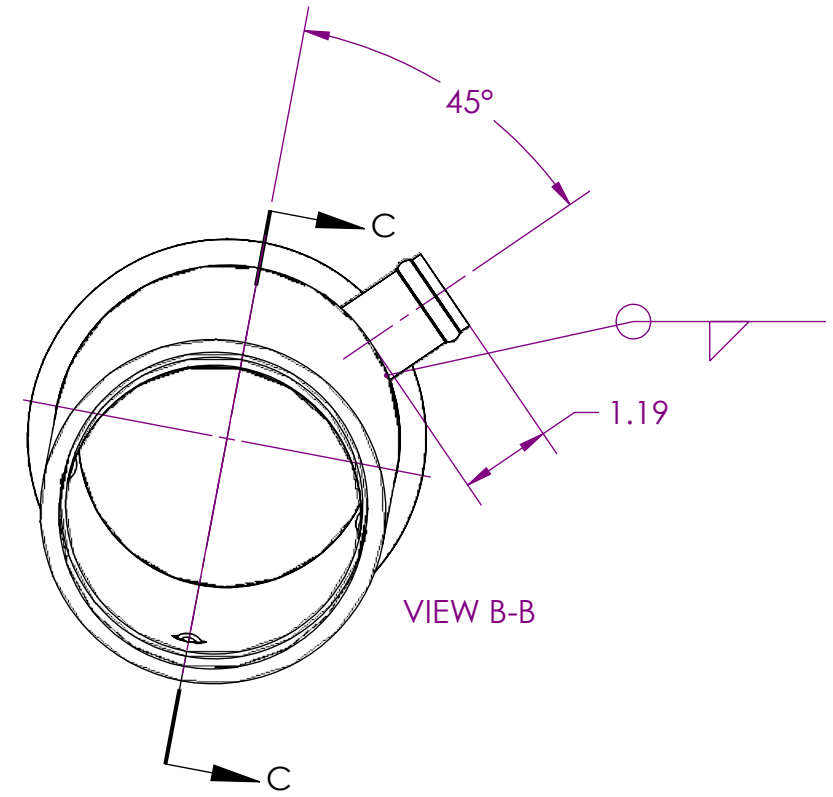
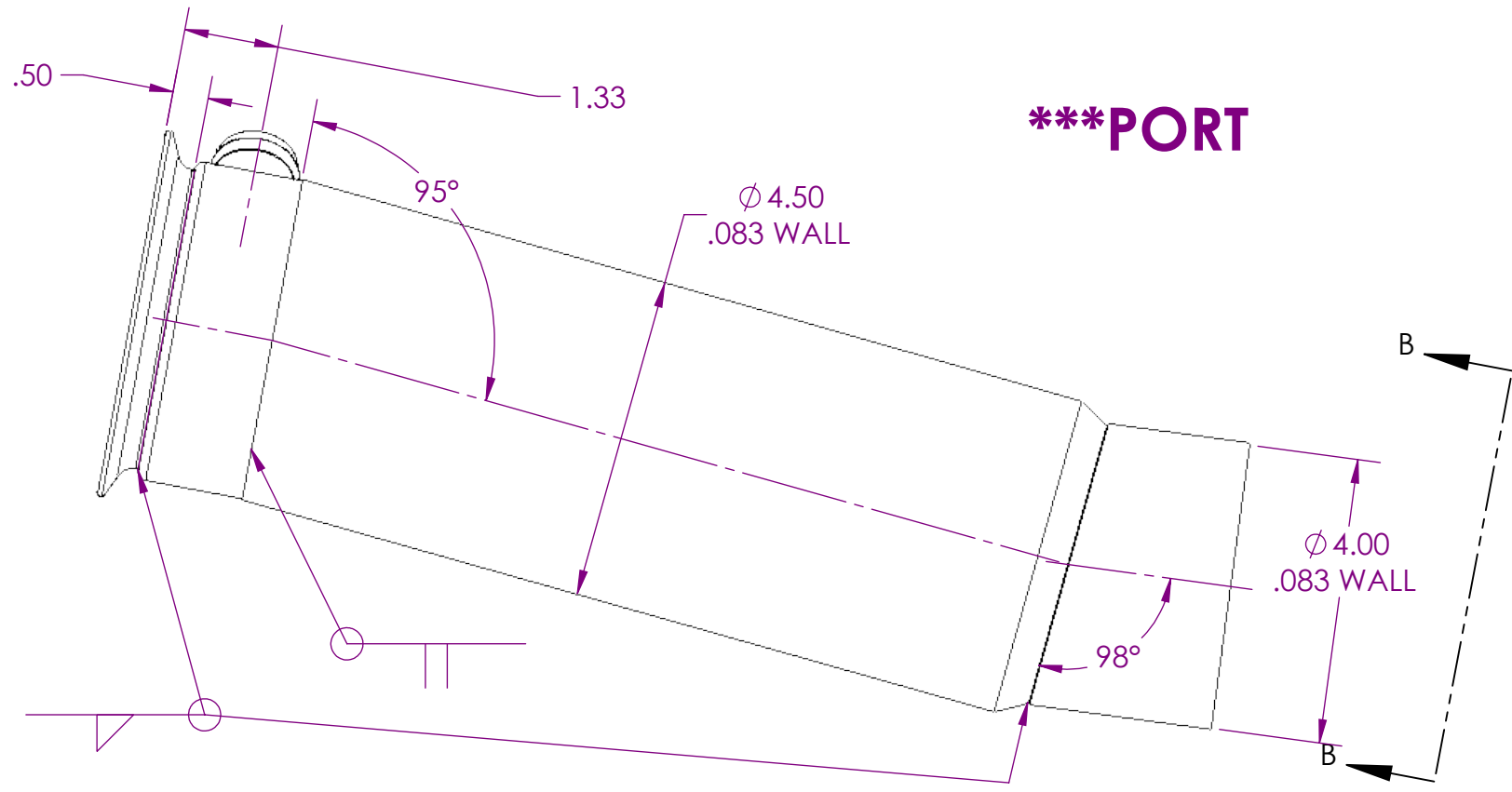
	DEPARTMENT		<b>CUSTOM MARINE INCORPORATED</b> NEENAH, WI		
	PREPARED	JJR	DESCR: E-TOP FF,STAND BRAVO TIP TAIL		
<small>UNLESS OTHERWISE SPECIFIED          DIMENSIONS ARE IN INCHES          DIMENSIONAL TOLERANCING:          2 PLACE ±.03          3 PLACE ±.005          ANGLES ±1°</small>	CHECKED	.	SIZE	WEIGHT LBS.	DWG. NO.
	ENGINEER	.	B	861.500	39750
<small>CUSTOM MARINE INCORPORATED RESERVES          PROPRIETARY RIGHTS TO THIS DRAWING AND          THE DATA SHOWN THEREON. SAID DRAWING          AND/OR DATA ARE CONFIDENTIAL AND ARE          NOT TO BE USED OR REPRODUCED FOR ANY          PURPOSE WITHOUT THE WRITTEN CONSENT          OF CUSTOM MARINE INCORPORATED.</small>			SCALE	MATERIAL:	REV.
THIRD ANGLE PROJECTION 			1:24	304L	C
				SHEET	2 OF 5

4

3

2

# \*\*\*PORT



4X Ø .25 HOLES  
EQUALLY SPACED  
CHEESEGRATER STYLE



DEPARTMENT	
PREPARED	JJR
CHECKED	.
ENGINEER	.

**CUSTOM MARINE INCORPORATED**  
NEENAH, WI

DESCRIPTION: **E-TOP FF, STAND BRAVO TIP TAIL**

UNLESS OTHERWISE SPECIFIED  
DIMENSIONS ARE IN INCHES  
DIMENSIONAL TOLERANCING:  
2 PLACE ±.03  
3 PLACE ±.005  
ANGLES ±1°

CUSTOM MARINE INCORPORATED RESERVES  
PROPRIETARY RIGHTS TO THIS DRAWING AND  
THE DATA SHOWN THEREON. SAID DRAWING  
AND/OR DATA ARE CONFIDENTIAL AND ARE  
NOT TO BE USED OR REPRODUCED FOR ANY  
PURPOSE WITHOUT THE WRITTEN CONSENT  
OF CUSTOM MARINE INCORPORATED.

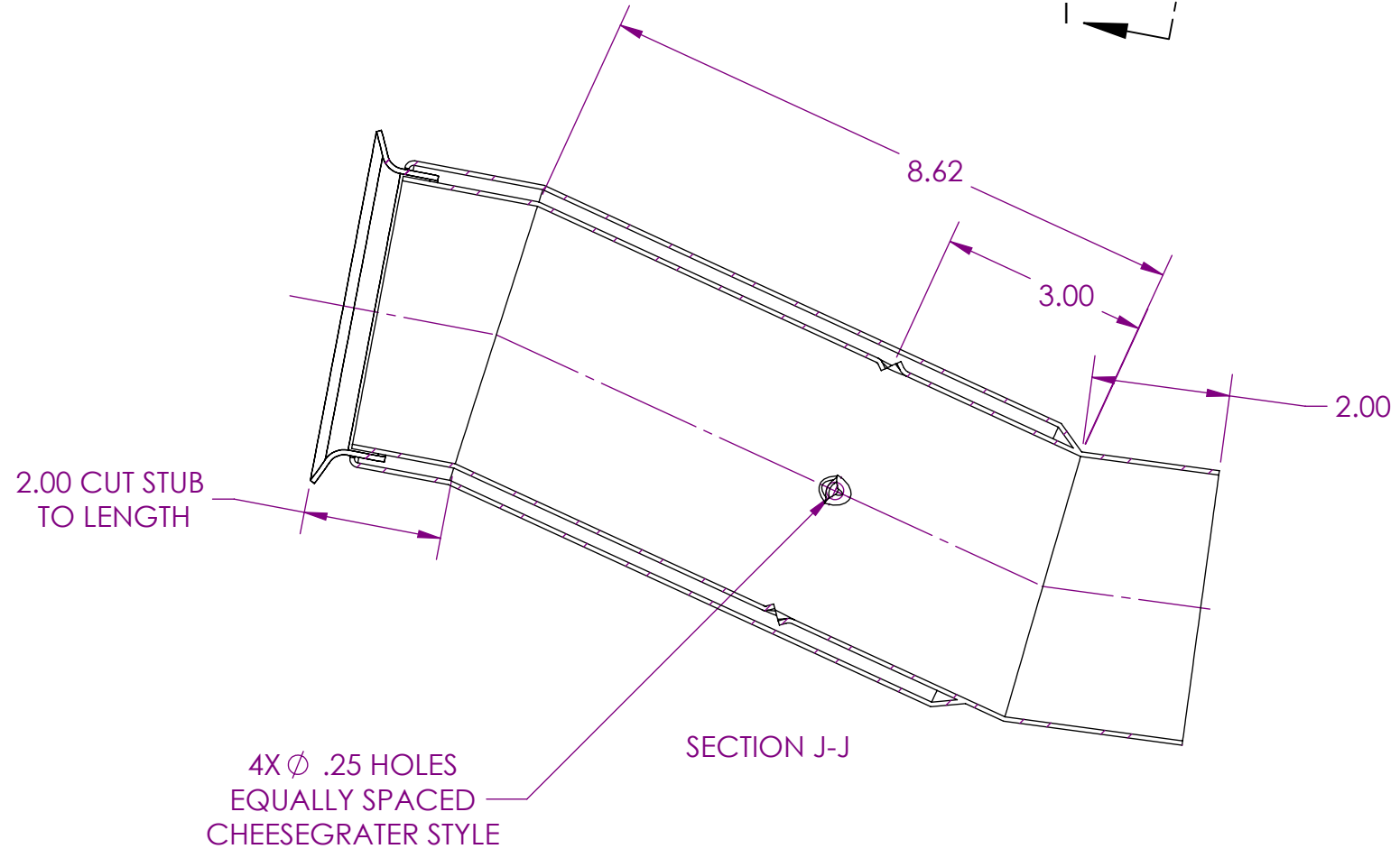
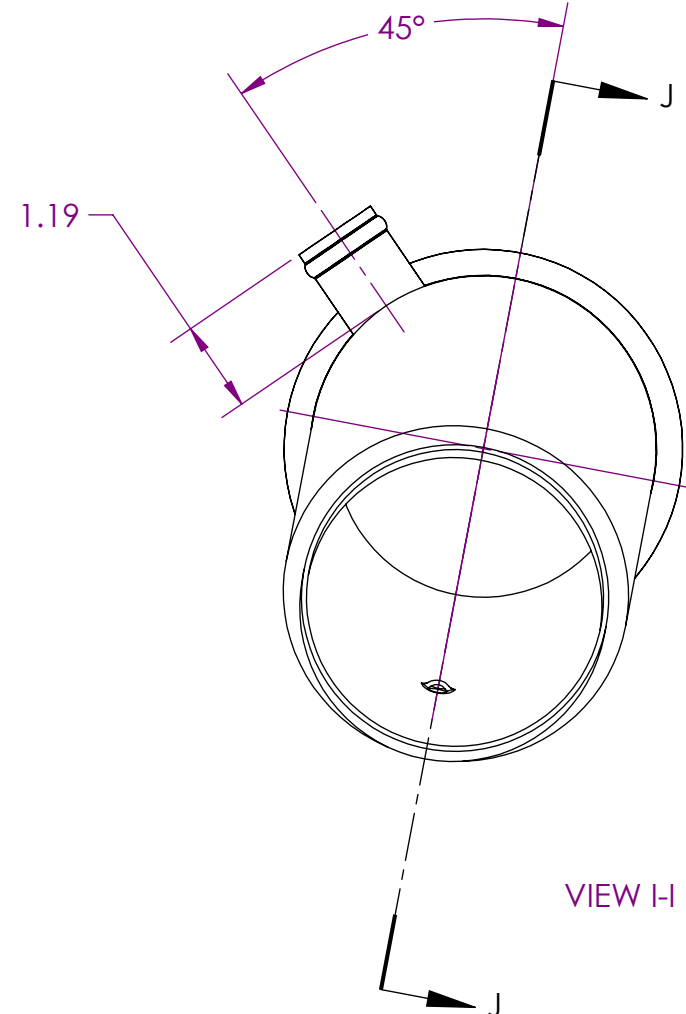
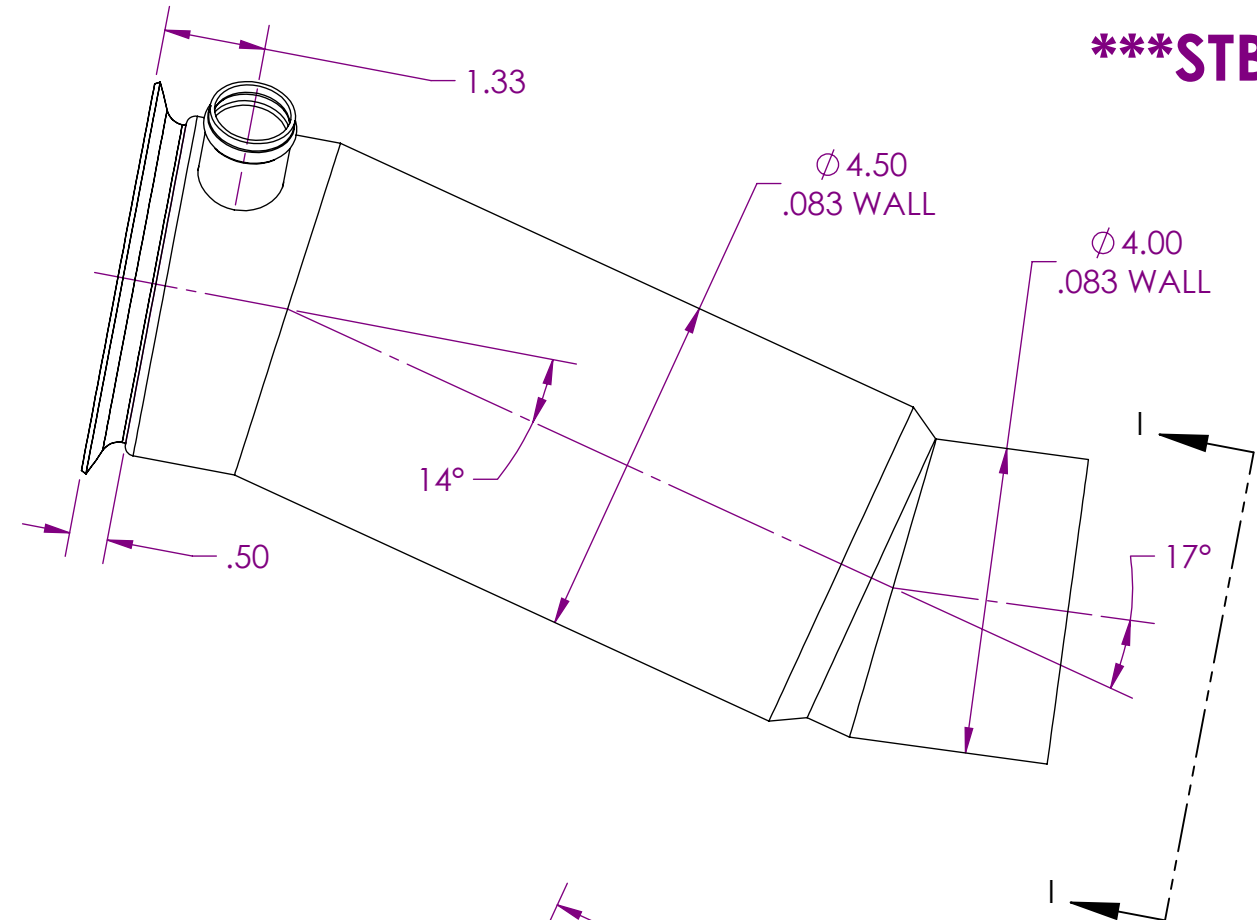
SIZE	WEIGHT LBS.	DWG. NO.	REV.
B	7.851	39750	C

THIRD ANGLE PROJECTION



SCALE	MATERIAL:	SHEET
1:2.5	304L	3 OF 5

\*\*\*STBD



- NOTES:  
1. WELDS OMITTED ON THIS SHEET  
2.

	DEPARTMENT		<b>CUSTOM MARINE INCORPORATED</b> NEENAH, WI		
	PREPARED	JJR	DESCR: E-TOP FF, STAND BRAVO TIP TAIL		
	CHECKED	.	SIZE	WEIGHT LBS.	DWG. NO.
ENGINEER	.	B	6.470	39750	REV. C
<small>UNLESS OTHERWISE SPECIFIED DIMENSIONS ARE IN INCHES DIMENSIONAL TOLERANCING: 2 PLACE ±.03 3 PLACE ±.005 ANGLES ±1°</small>		<small>CUSTOM MARINE INCORPORATED RESERVES PROPRIETARY RIGHTS TO THIS DRAWING AND THE DATA SHOWN THEREON. SAID DRAWING AND/OR DATA ARE CONFIDENTIAL AND ARE NOT TO BE USED OR REPRODUCED FOR ANY PURPOSE WITHOUT THE WRITTEN CONSENT OF CUSTOM MARINE INCORPORATED.</small>		SCALE	MATERIAL:
THIRD ANGLE PROJECTION		1:2.5	304L	SHEET 4 OF 5	

4

3

2

CMI MATERIAL NUMBER

D

D

C

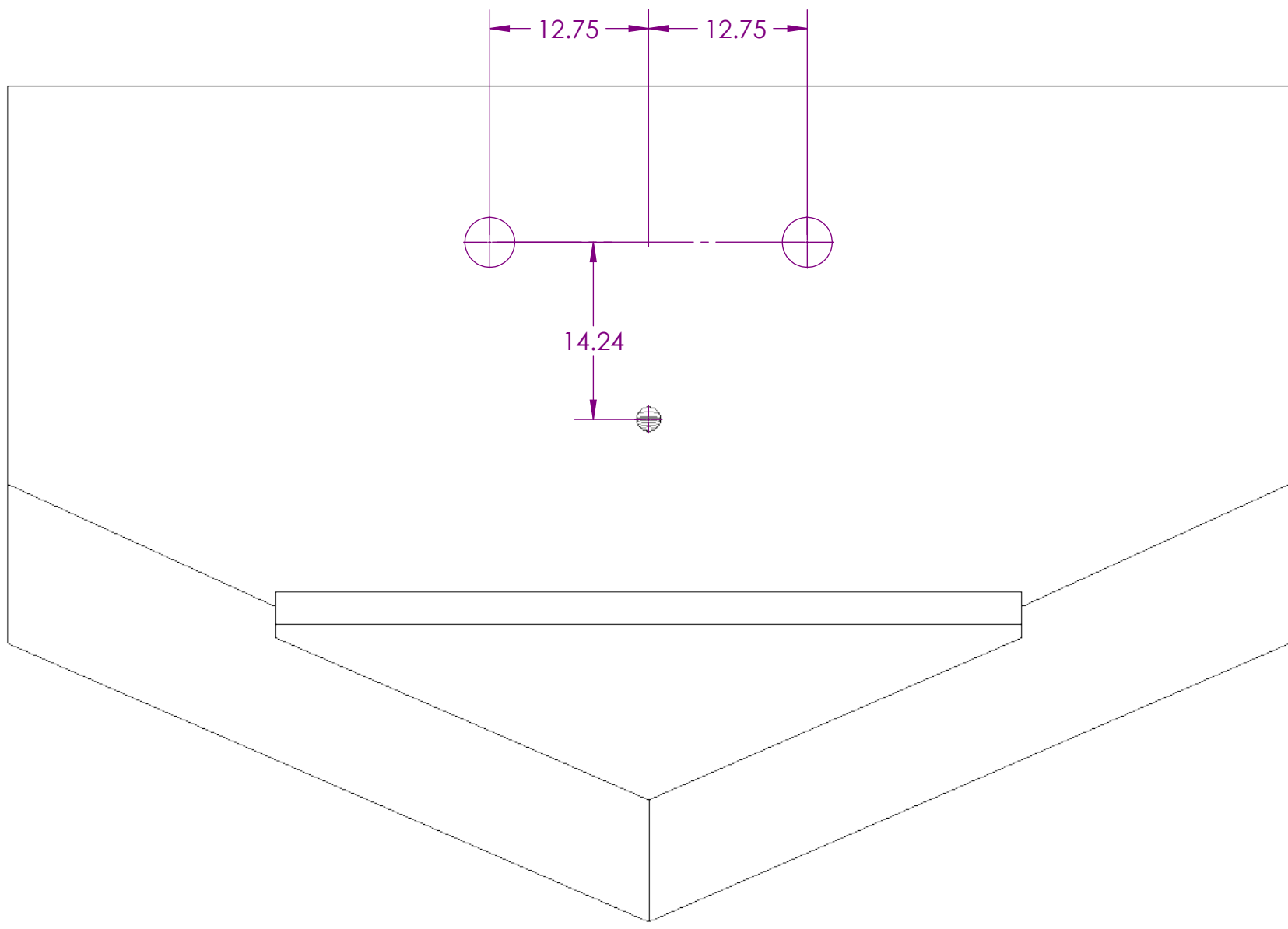
C

B

B

A

A



DEPARTMENT

**CUSTOM MARINE INCORPORATED**  
NEENAH, WI

PREPARED	JJR
CHECKED	.
ENGINEER	.

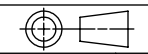
DESCRIPTION: **E-TOP FF, STAND BRAVO TIP TAIL**

UNLESS OTHERWISE SPECIFIED  
DIMENSIONS ARE IN INCHES  
DIMENSIONAL TOLERANCING:  
2 PLACE ±.03  
3 PLACE ±.005  
ANGLES ±1°

CUSTOM MARINE INCORPORATED RESERVES  
PROPRIETARY RIGHTS TO THIS DRAWING AND  
THE DATA SHOWN THEREON. SAID DRAWING  
AND/OR DATA ARE CONFIDENTIAL AND ARE  
NOT TO BE USED OR REPRODUCED FOR ANY  
PURPOSE WITHOUT THE WRITTEN CONSENT  
OF CUSTOM MARINE INCORPORATED.

SIZE <b>B</b>	WEIGHT LBS. <b>861.500</b>	DWG. NO. <b>39750</b>	REV. <b>C</b>
------------------	-------------------------------	--------------------------	------------------

THIRD ANGLE PROJECTION



SCALE 1:12	MATERIAL: 304L	SHEET 5 OF 5
---------------	-------------------	-----------------

4

3

2

1