

4

3

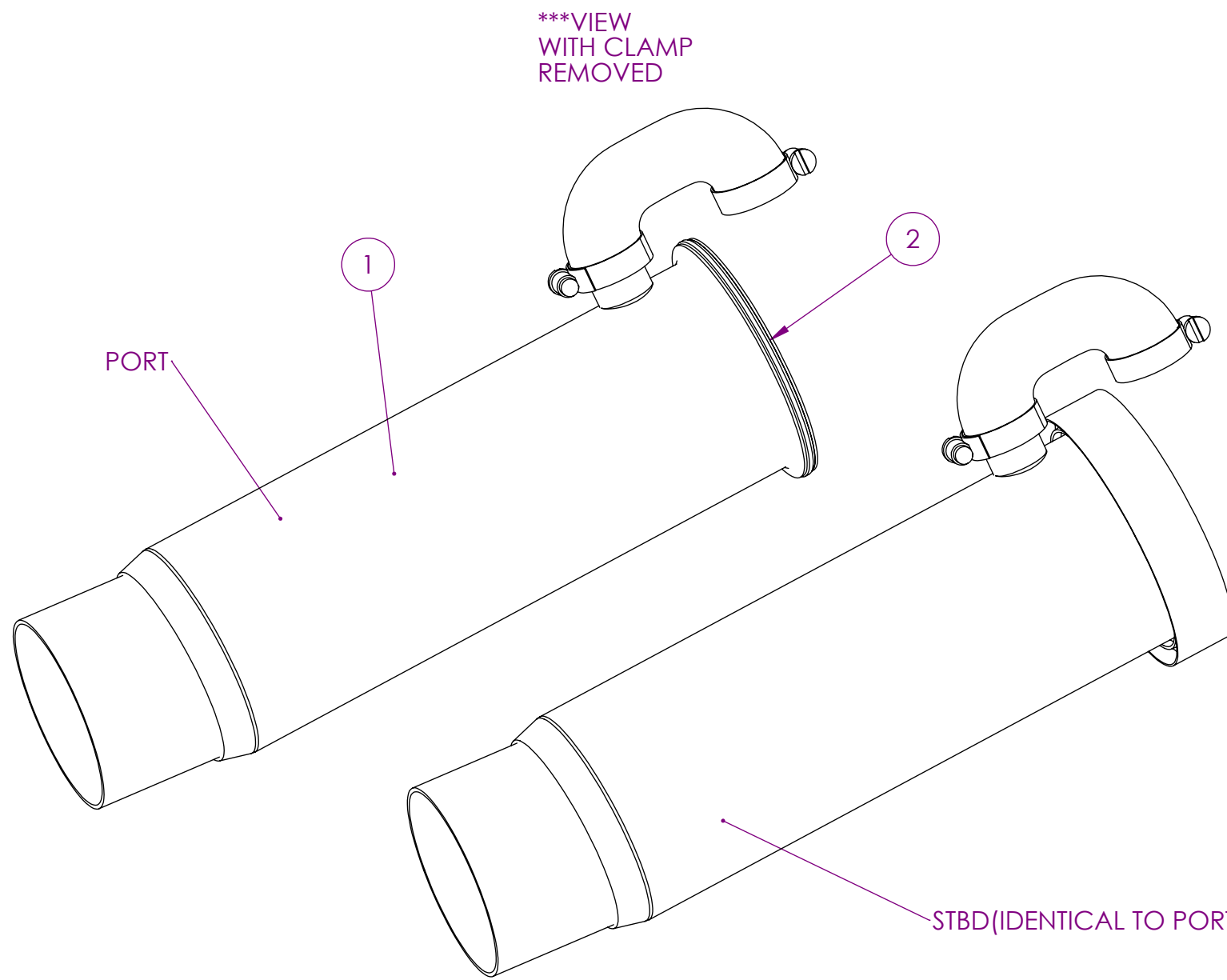
2

CMI MATERIAL NUMBER

| ITEM NO. | PART NUMBER | DESCRIPTION | QTY. |
|----------|-------------|------------------------------|------|
| 1 | 39007 | SWEEPER | 2 |
| 2 | 41014 | KIT, SWEEPER FF ADAPTOR RING | 2 |

D
C
B
A

D
C
B
A



- NOTES:
1. FINISH: POLISHED
 2. DRIVE: BRAVO (8.08" SETBACK)
 3. PORT & STBD ARE IDENTICAL



| | | | | |
|---|---|----------------|--|--------------------------|
| | DEPARTMENT | | CUSTOM MARINE INCORPORATED | |
| | NEENAH, WI | | DESCR. KIT, TAILPIPE, SWEEPER FF STD, BRAVO, W/ RING | |
| PREPARED TJP 3/13/2015 CHECKED ENGINEER | UNLESS OTHERWISE SPECIFIED DIMENSIONS ARE IN INCHES DIMENSIONAL TOLERANCING: 2 PLACE ±.03 3 PLACE ±.005 ANGLES ±1° | | CUSTOM MARINE INCORPORATED RESERVES PROPRIETARY RIGHTS TO THIS DRAWING AND THE DATA SHOWN THEREON. SAID DRAWING AND/OR DATA ARE CONFIDENTIAL AND ARE NOT TO BE USED OR REPRODUCED FOR ANY PURPOSE WITHOUT THE WRITTEN CONSENT OF CUSTOM MARINE INCORPORATED. | DWG. NO. 41027 REV. B |
| THIRD ANGLE PROJECTION | SCALE 1:3 | MATERIAL: 304L | SHEET 1 OF 3 | |

| REVISIONS | | | | | |
|-----------|------|--|-----|-------|-----------|
| ECN # | REV. | DESCRIPTION | BY | CHK'D | DATE |
| 476 | A | NEW PRODUCTION KIT | TJP | | 3/13/2015 |
| ENG | B | ADJUSTED GRAPHICS & ADDED TRANSOM DIMS | MJG | | 1/5/2022 |

4

3

2

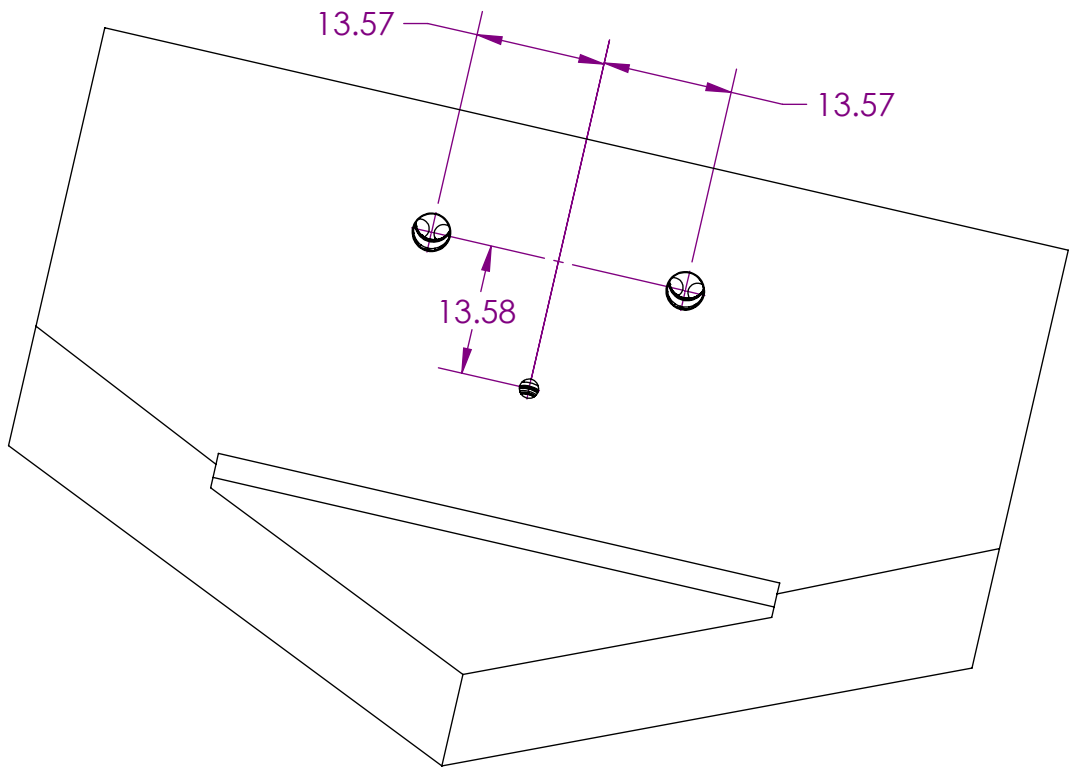
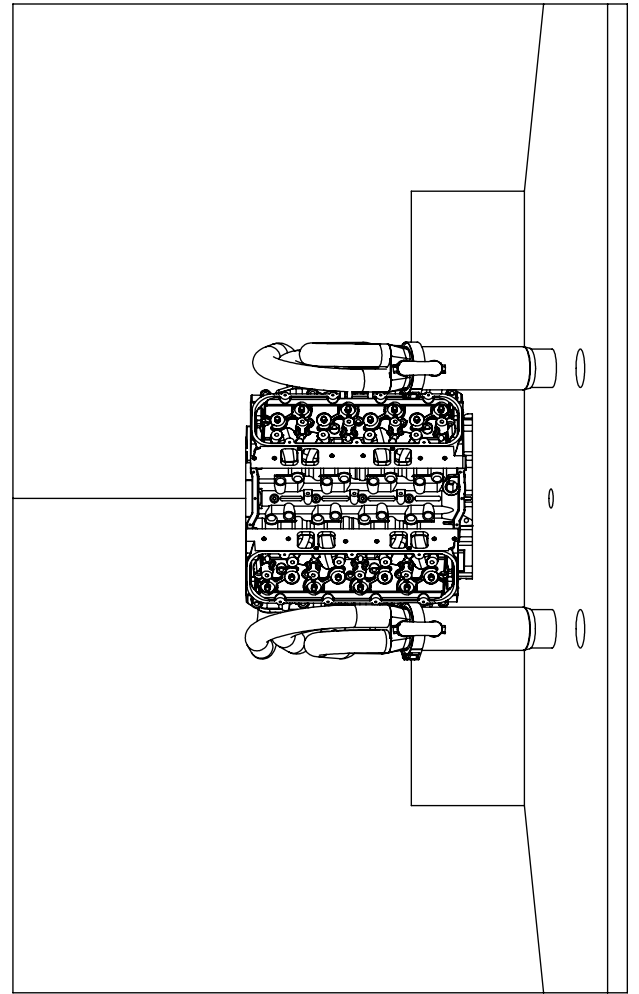
1

4

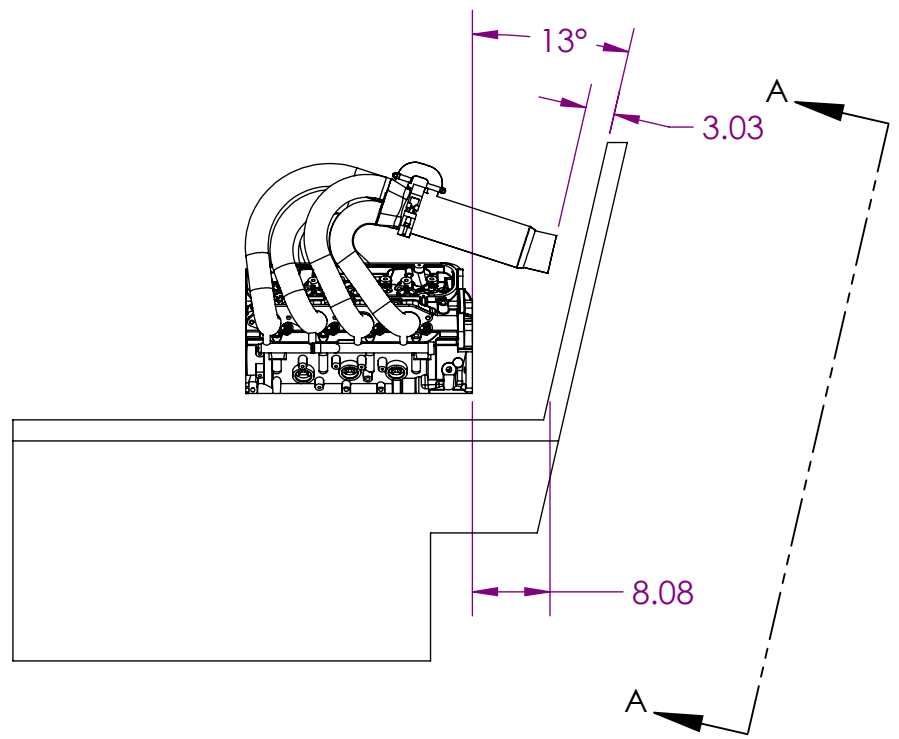
3

2

CMI MATERIAL NUMBER



VIEW A-A



| | | | | |
|---|--|--------------|---|----------------|
| | DEPARTMENT | | CUSTOM MARINE INCORPORATED | |
| | NEENAH, WI | | | |
| PREPARED TJP 3/13/2015 CHECKED ENGINEER | DESCR. | | KIT, TAILPIPE, SWEEPER FF STD, BRAVO, W/ RING | |
| UNLESS OTHERWISE SPECIFIED DIMENSIONS ARE IN INCHES DIMENSIONAL TOLERANCING: 2 PLACE ±.03 3 PLACE ±.005 ANGLES ±1° | CUSTOM MARINE INCORPORATED RESERVES PROPRIETARY RIGHTS TO THIS DRAWING AND THE DATA SHOWN THEREON. SAID DRAWING AND/OR DATA ARE CONFIDENTIAL AND ARE NOT TO BE USED OR REPRODUCED FOR ANY PURPOSE WITHOUT THE WRITTEN CONSENT OF CUSTOM MARINE INCORPORATED. | SIZE B | WEIGHT LBS. | DWG. NO. 41027 |
| THIRD ANGLE PROJECTION | | SCALE 1:20 | MATERIAL: 304L | REV. B |
| | | SHEET 2 OF 3 | | |

4

3

2

CMI MATERIAL NUMBER

D

D

C

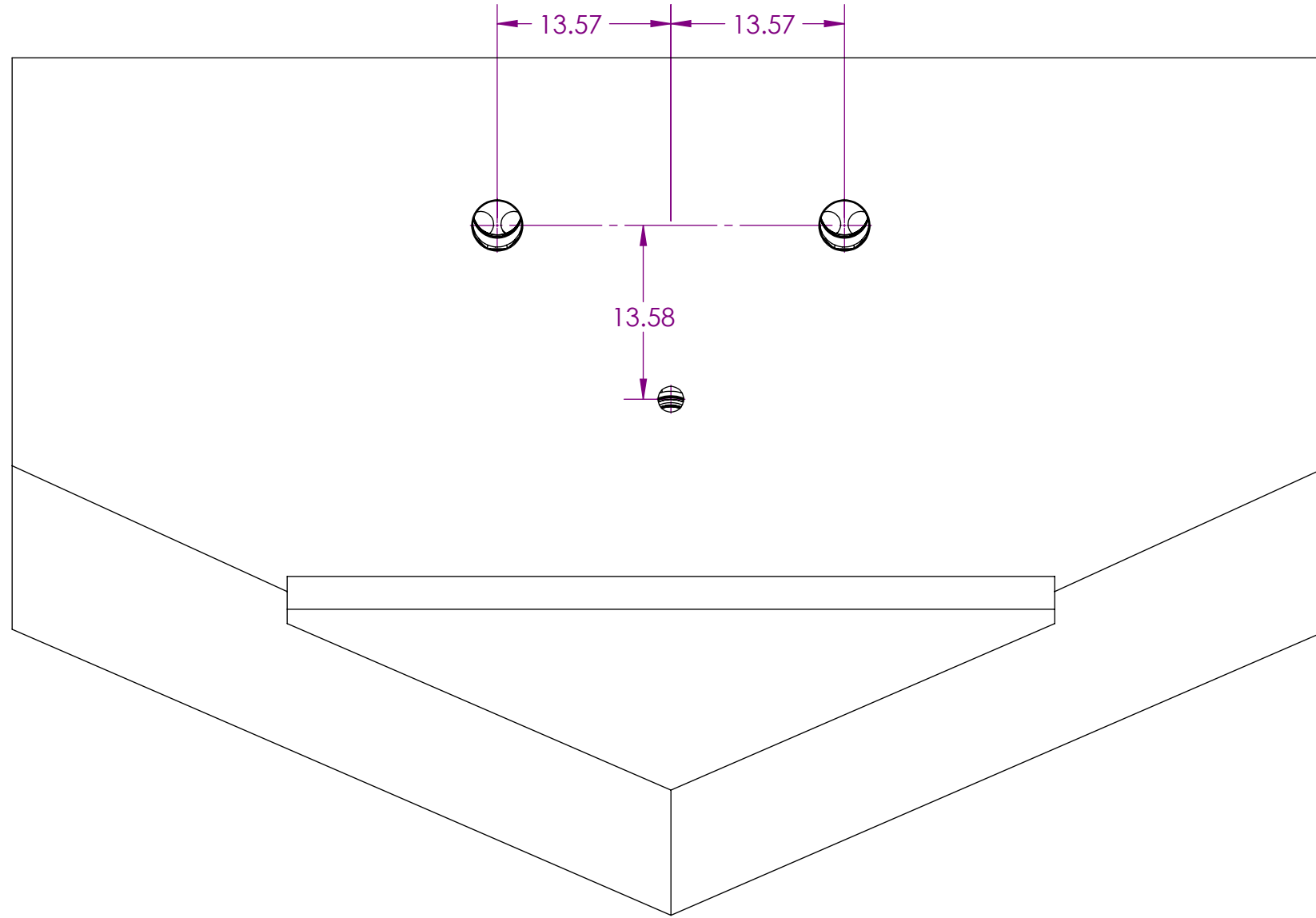
C

B

B

A

A



DEPARTMENT

CUSTOM MARINE INCORPORATED
NEENAH, WI

PREPARED TJP 3/13/2015
CHECKED
ENGINEER

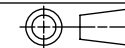
DESCR. **KIT, TAILPIPE, SWEEPER FF
STD, BRAVO, W/ RING**

UNLESS OTHERWISE SPECIFIED
DIMENSIONS ARE IN INCHES
DIMENSIONAL TOLERANCING:
2 PLACE ±.03
3 PLACE ±.005
ANGLES ±1°

CUSTOM MARINE INCORPORATED RESERVES
PROPRIETARY RIGHTS TO THIS DRAWING AND
THE DATA SHOWN THEREON. SAID DRAWING
AND/OR DATA ARE CONFIDENTIAL AND ARE
NOT TO BE USED OR REPRODUCED FOR ANY
PURPOSE WITHOUT THE WRITTEN CONSENT
OF CUSTOM MARINE INCORPORATED.

| | | | |
|------------------|-------------|--------------------------|------------------|
| SIZE B | WEIGHT LBS. | DWG. NO. 41027 | REV. B |
|------------------|-------------|--------------------------|------------------|

**THIRD ANGLE
PROJECTION**



| | | |
|------------|----------------|--------------|
| SCALE 1:12 | MATERIAL: 304L | SHEET 3 OF 3 |
|------------|----------------|--------------|

4

3

2

1