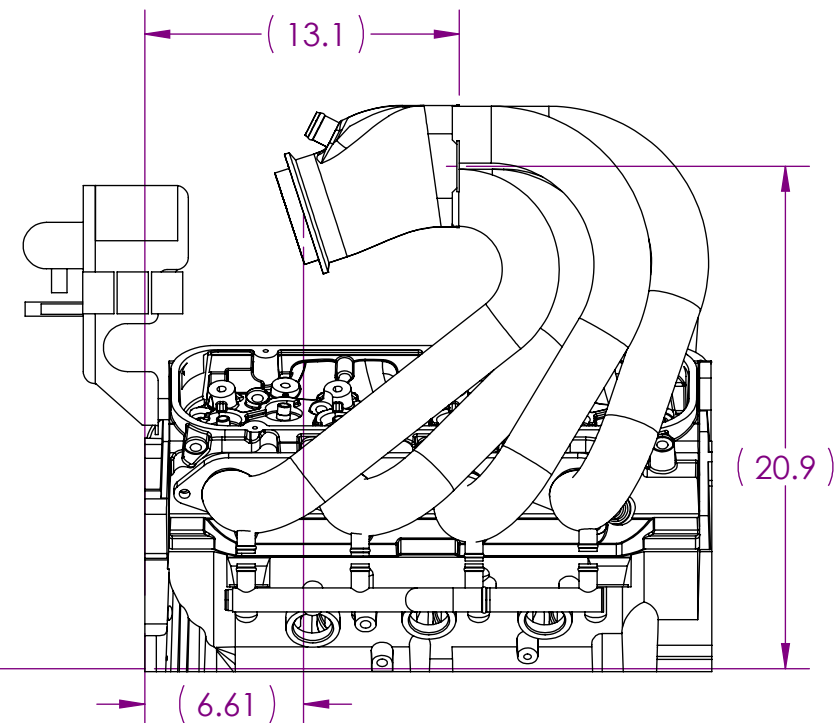
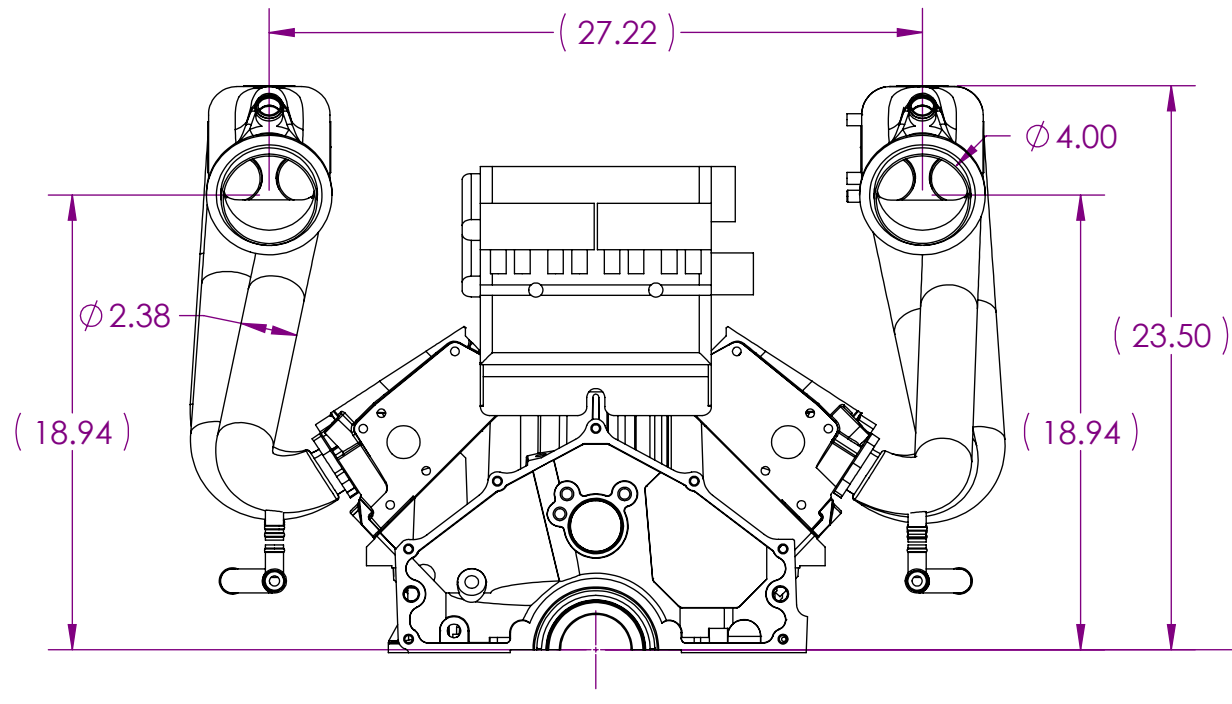
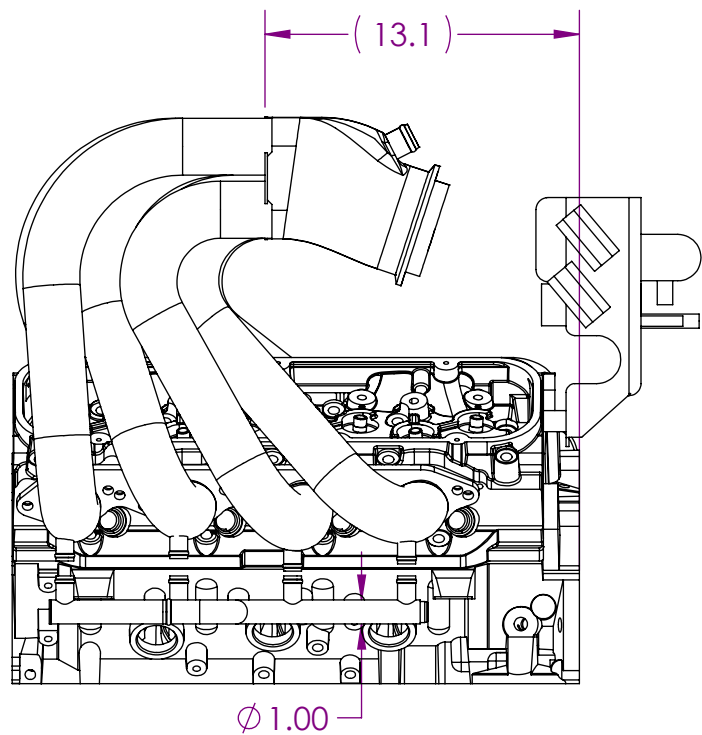
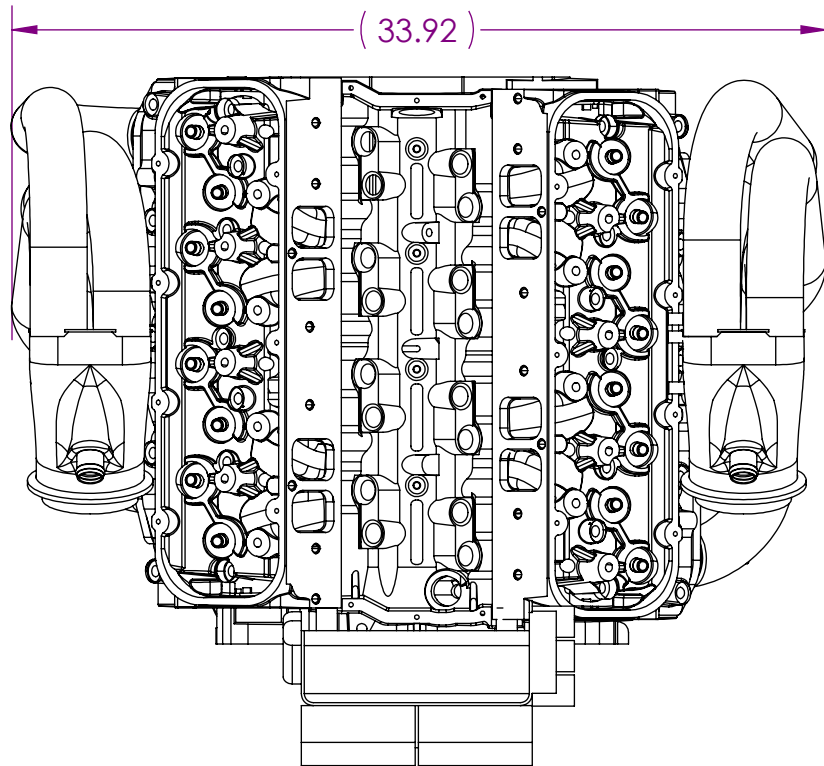


4

3

2

CMI MATERIAL NUMBER



DEPARTMENT

CUSTOM MARINE INCORPORATED
NEENAH, WI

PREPARED	MSB	12/03/2009
CHECKED		
ENGINEER		

DESCR. **GEN-X HEADER**

UNLESS OTHERWISE SPECIFIED
DIMENSIONS ARE IN INCHES
DIMENSIONAL TOLERANCING:
2 PLACE ±.03
3 PLACE ±.005
ANGLES ±1°

CUSTOM MARINE INCORPORATED RESERVES
PROPRIETARY RIGHTS TO THIS DRAWING AND
THE DATA SHOWN THEREON. SAID DRAWING
AND/OR DATA ARE CONFIDENTIAL AND ARE
NOT TO BE USED OR REPRODUCED FOR ANY
PURPOSE WITHOUT THE WRITTEN CONSENT
OF CUSTOM MARINE INCORPORATED.

SIZE B	WEIGHT LBS.	DWG. NO. 13020	REV. A
------------------	-------------	--------------------------	------------------

DO NOT SCALE DRAWING

THIRD ANGLE PROJECTION



SCALE 1:8	MATERIAL:	SHEET 1 OF 3
--------------	-----------	--------------

REVISIONS					
ENN #	REV.	DESCRIPTION	BY	CHK'D	DATE
256	A	TOOL & TEST RELEASE	MSB		2/17/2010

4

3

2

1