

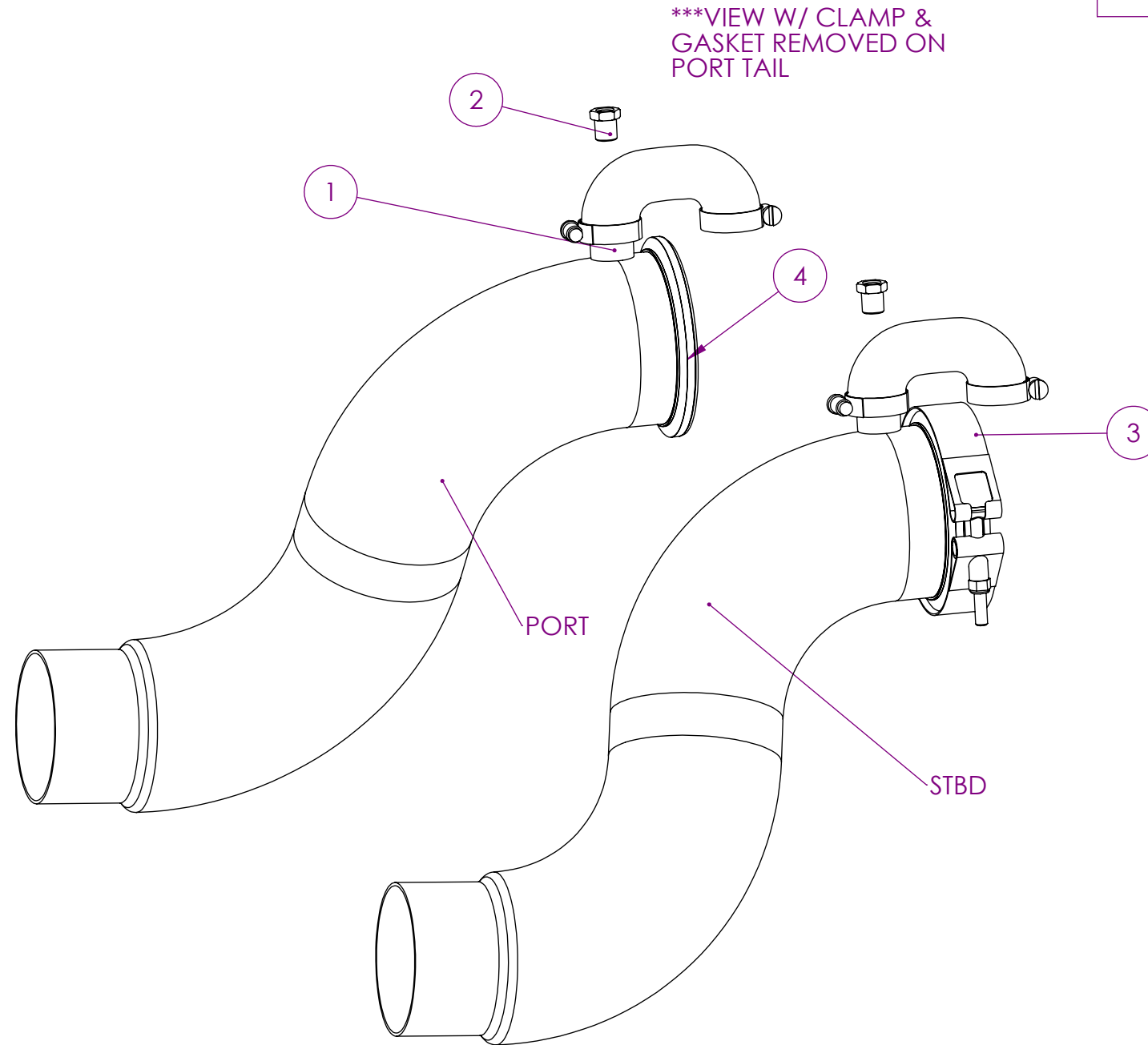
4

3

2

CMI MATERIAL NUMBER

ITEM NO.	PART NUMBER	DESCRIPTION	QTY.
1	18290	NIPPLE,316L,BEADED,1.13OD,.38-18,.91OAL	2
2	18320	RESTRICTOR,304L,THREAD,.69HEX,.38-18	2
3	36270	SWEEPER CLAMP KIT	2
4	42090	SWEEPER TAIL RING	2



- NOTES:
 1. FINISH: POLISHED
 2. DRIVE: BRAVO (8.08" SETBACK)



DEPARTMENT

CUSTOM MARINE INCORPORATED
 NEENAH, WI

PREPARED MJG 12/21/2021
 CHECKED
 ENGINEER

DESCR SWEPR MERC,S PIP BRAV OF TIPTL
 HALLETT CUSTOM BOATS

UNLESS OTHERWISE SPECIFIED
 DIMENSIONS ARE IN INCHES
 DIMENSIONAL TOLERANCING:
 2 PLACE ±.03
 3 PLACE ±.005
 ANGLES ±1°

CUSTOM MARINE INCORPORATED RESERVES
 PROPRIETARY RIGHTS TO THIS DRAWING AND
 THE DATA SHOWN THEREON. SAID DRAWING
 AND/OR DATA ARE CONFIDENTIAL AND ARE
 NOT TO BE USED OR REPRODUCED FOR ANY
 PURPOSE WITHOUT THE WRITTEN CONSENT
 OF CUSTOM MARINE INCORPORATED.

SIZE B WEIGHT LBS. 24.21 DWG. NO. 39693-1H REV. A

THIRD ANGLE PROJECTION

SCALE 1:4 MATERIAL: 304L SHEET 1 OF 5

REVISIONS					
ECN #	REV.	DESCRIPTION	BY	CHK'D	DATE
ENG	A	MOVED FROM EX FOLDER TO PRODUCTION PARTS	MJG		12/22/2021

4

3

2

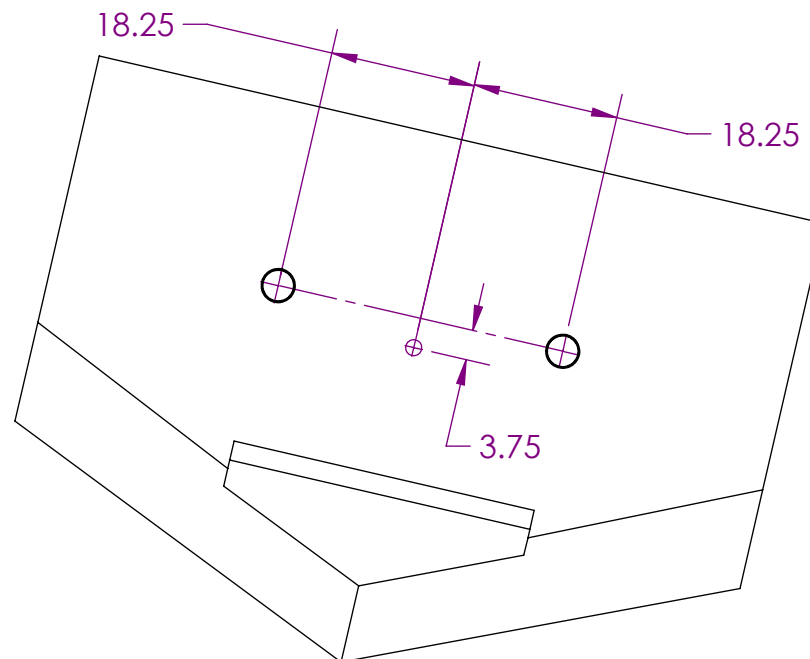
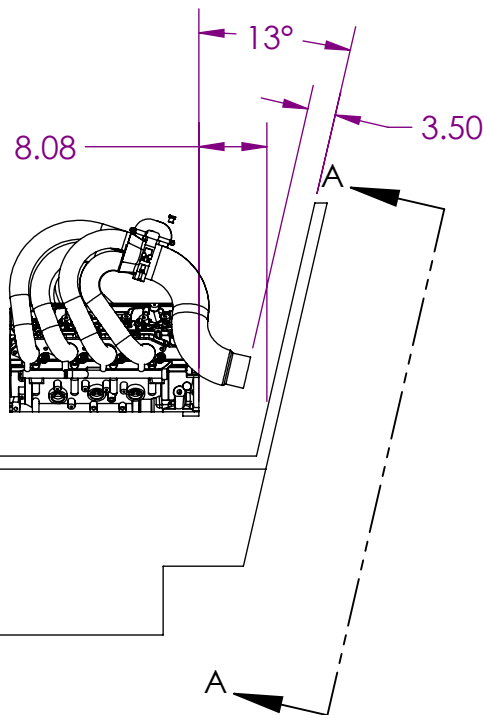
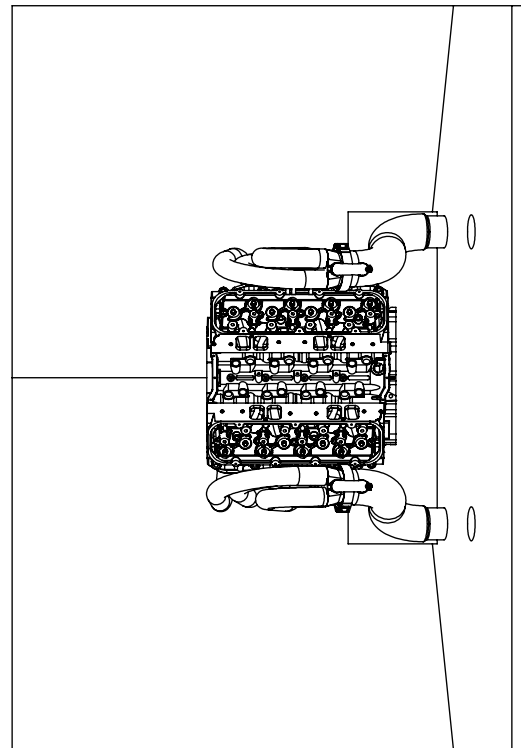
1

4



3

2

CMI MATERIAL NUMBER

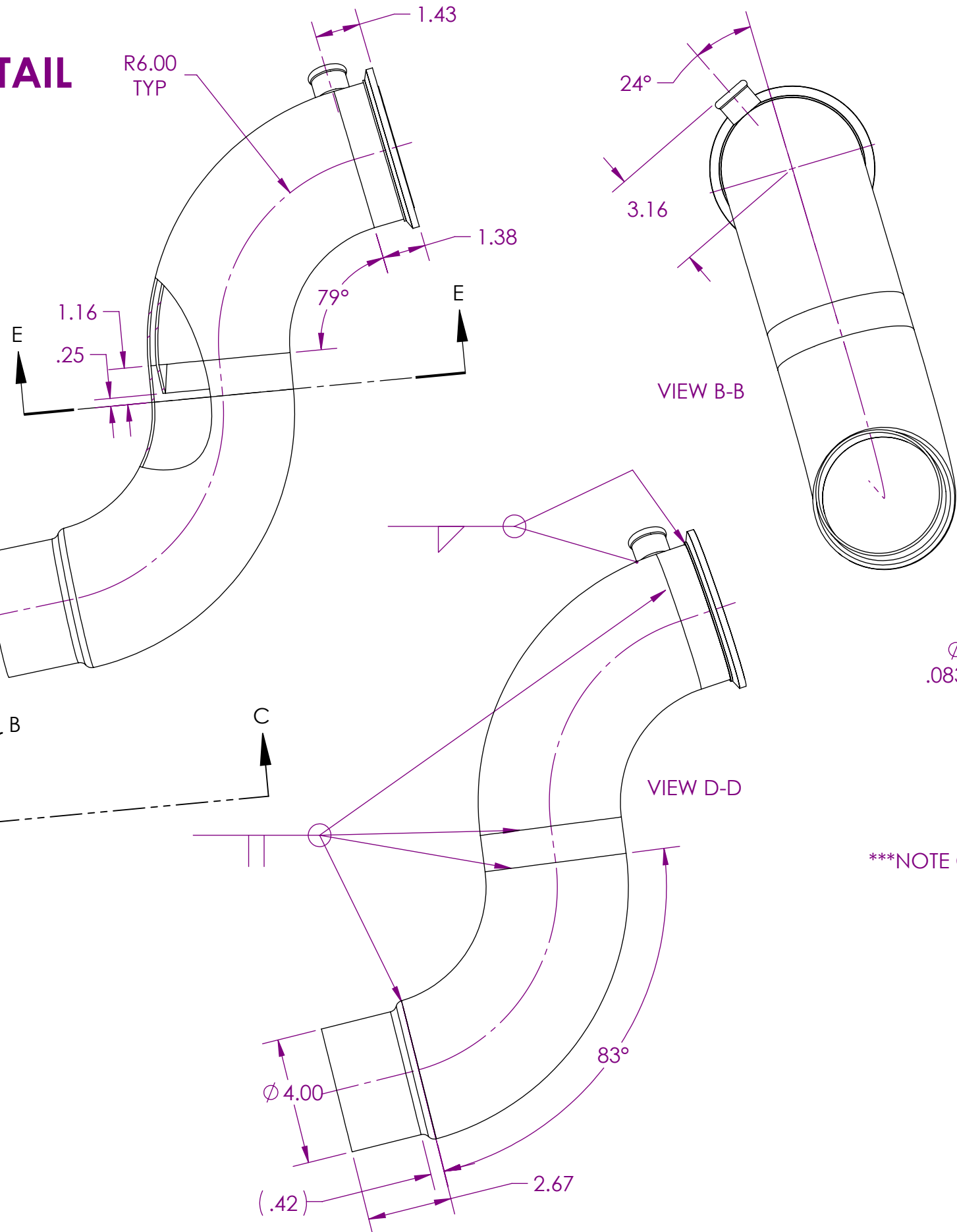


VIEW A-A

	DEPARTMENT		CUSTOM MARINE INCORPORATED	
	NEENAH, WI			
PREPARED MJG 12/21/2021 CHECKED ENGINEER	DESCR		SWEPR MERC,S PIP BRAV OF TIPTL HALLETT CUSTOM BOATS	
UNLESS OTHERWISE SPECIFIED DIMENSIONS ARE IN INCHES DIMENSIONAL TOLERANCING: 2 PLACE ±.03 3 PLACE ±.005 ANGLES ±1°	CUSTOM MARINE INCORPORATED RESERVES PROPRIETARY RIGHTS TO THIS DRAWING AND THE DATA SHOWN THEREON. SAID DRAWING AND/OR DATA ARE CONFIDENTIAL AND ARE NOT TO BE USED OR REPRODUCED FOR ANY PURPOSE WITHOUT THE WRITTEN CONSENT OF CUSTOM MARINE INCORPORATED.	SIZE B	WEIGHT LBS. 24.21	DWG. NO. 39693-1H
THIRD ANGLE PROJECTION		SCALE 1:24	MATERIAL: 304L	REV. A
		SHEET 2 OF 5		

*****PORT TAIL**

R6.00
TYP



VIEW B-B

VIEW C-C

VIEW D-D

SECTION E-E

***NOTE ORIENTATION OF HEX DUMP

	DEPARTMENT		CUSTOM MARINE INCORPORATED NEENAH, WI		
	PREPARED	MJG	12/21/2021	DESCR	
UNLESS OTHERWISE SPECIFIED DIMENSIONS ARE IN INCHES DIMENSIONAL TOLERANCING: 2 PLACE $\pm .03$ 3 PLACE $\pm .005$ ANGLES $\pm 1^\circ$	CHECKED			SWEPR MERC,S PIP BRAV OF TIPTL HALLETT CUSTOM BOATS	
	ENGINEER			SIZE	REV.
CUSTOM MARINE INCORPORATED RESERVES PROPRIETARY RIGHTS TO THIS DRAWING AND THE DATA SHOWN THEREON. SAID DRAWING AND/OR DATA ARE CONFIDENTIAL AND ARE NOT TO BE USED OR REPRODUCED FOR ANY PURPOSE WITHOUT THE WRITTEN CONSENT OF CUSTOM MARINE INCORPORATED.			WEIGHT LBS.	DWG. NO.	
THIRD ANGLE PROJECTION			SCALE	1:4	MATERIAL:
				304L	SHEET 3 OF 5

4

3

2

CMI MATERIAL NUMBER

***STBD TAIL

D

C

B

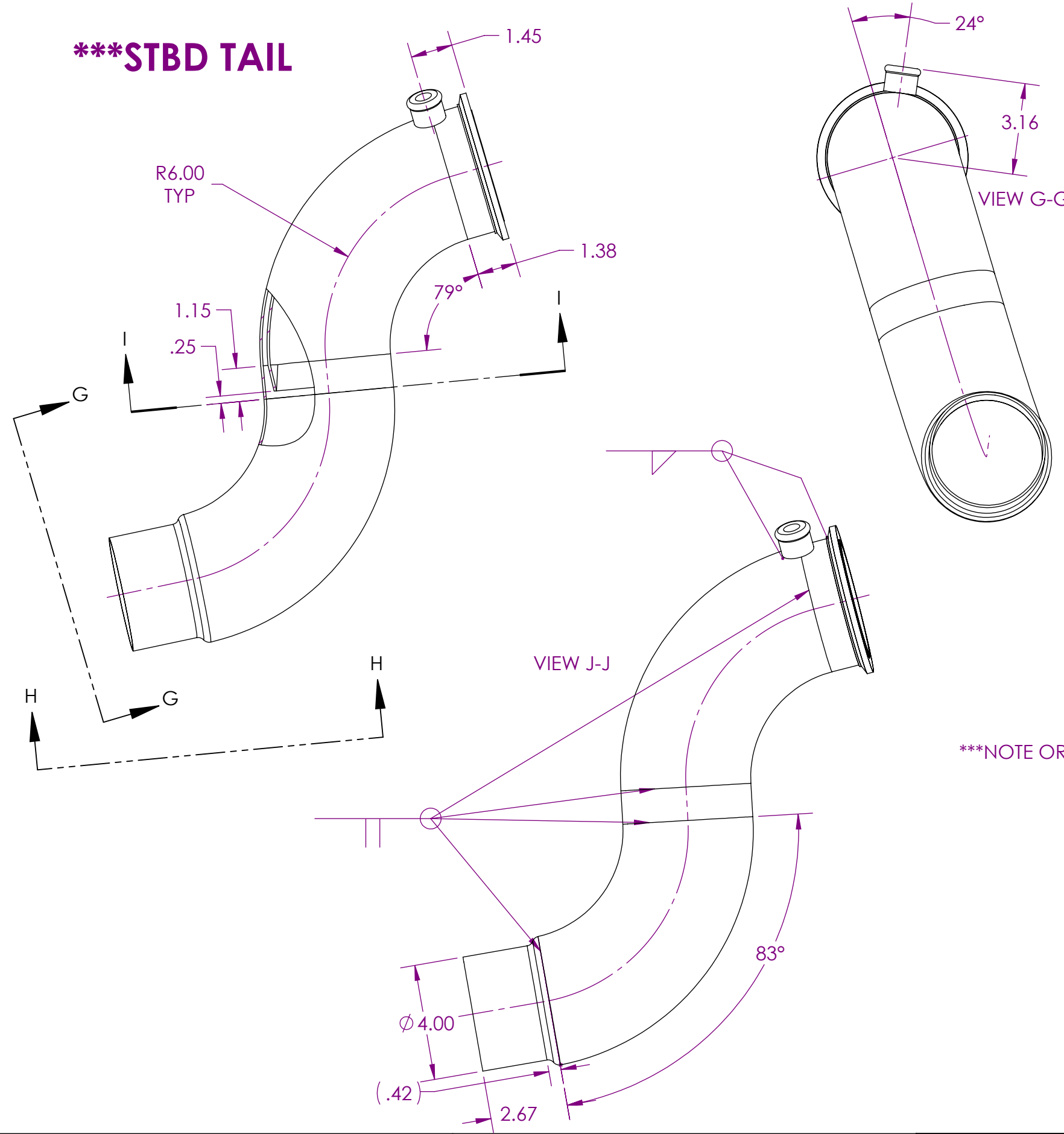
A

D

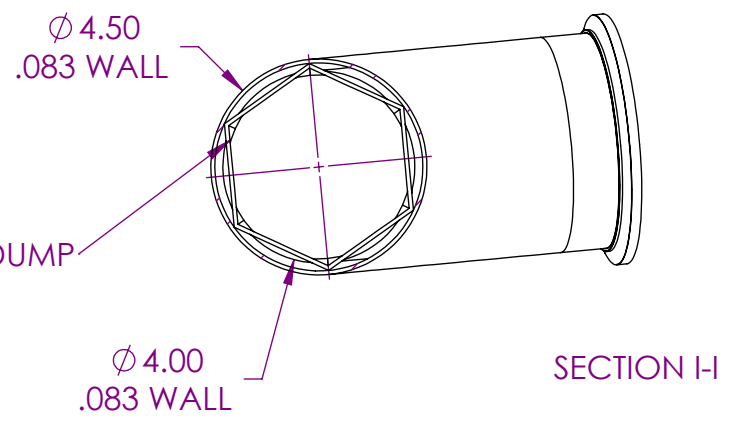
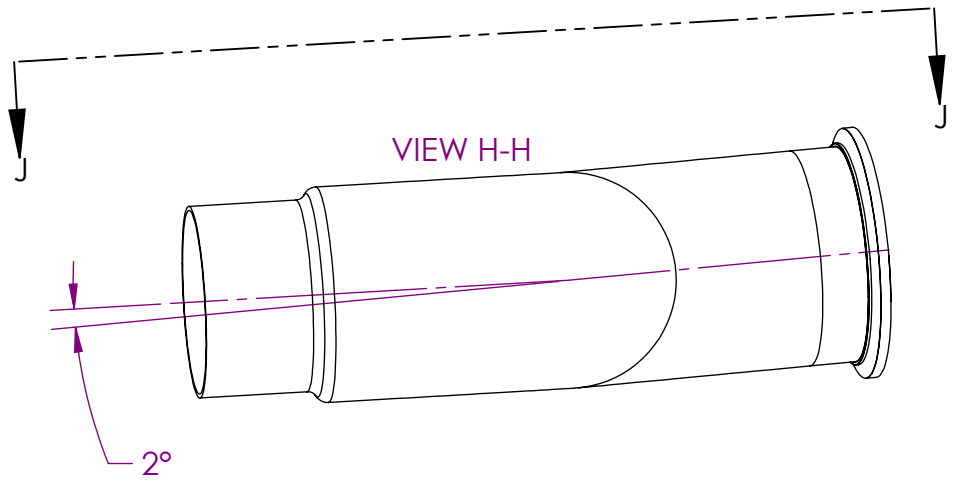
C

B

A



***NOTE ORIENTATION OF HEX DUMP



DEPARTMENT	
PREPARED	MJG 12/21/2021
CHECKED	
ENGINEER	

CUSTOM MARINE INCORPORATED
NEENAH, WI

DESCR: **SWEPR MERC,S PIP BRAV OF TIPTL
HALLETT CUSTOM BOATS**

UNLESS OTHERWISE SPECIFIED
DIMENSIONS ARE IN INCHES
DIMENSIONAL TOLERANCING:
2 PLACE ±.03
3 PLACE ±.005
ANGLES ±1°

CUSTOM MARINE INCORPORATED RESERVES
PROPRIETARY RIGHTS TO THIS DRAWING AND
THE DATA SHOWN THEREON. SAID DRAWING
AND/OR DATA ARE CONFIDENTIAL AND ARE
NOT TO BE USED OR REPRODUCED FOR ANY
PURPOSE WITHOUT THE WRITTEN CONSENT
OF CUSTOM MARINE INCORPORATED.

SIZE	WEIGHT LBS.	DWG. NO.	REV.
B	24.21	39693-1H	A

THIRD ANGLE PROJECTION

SCALE	MATERIAL:	SHEET
1:4	304L	4 OF 5

4

3

2

CMI MATERIAL NUMBER

D

D

C

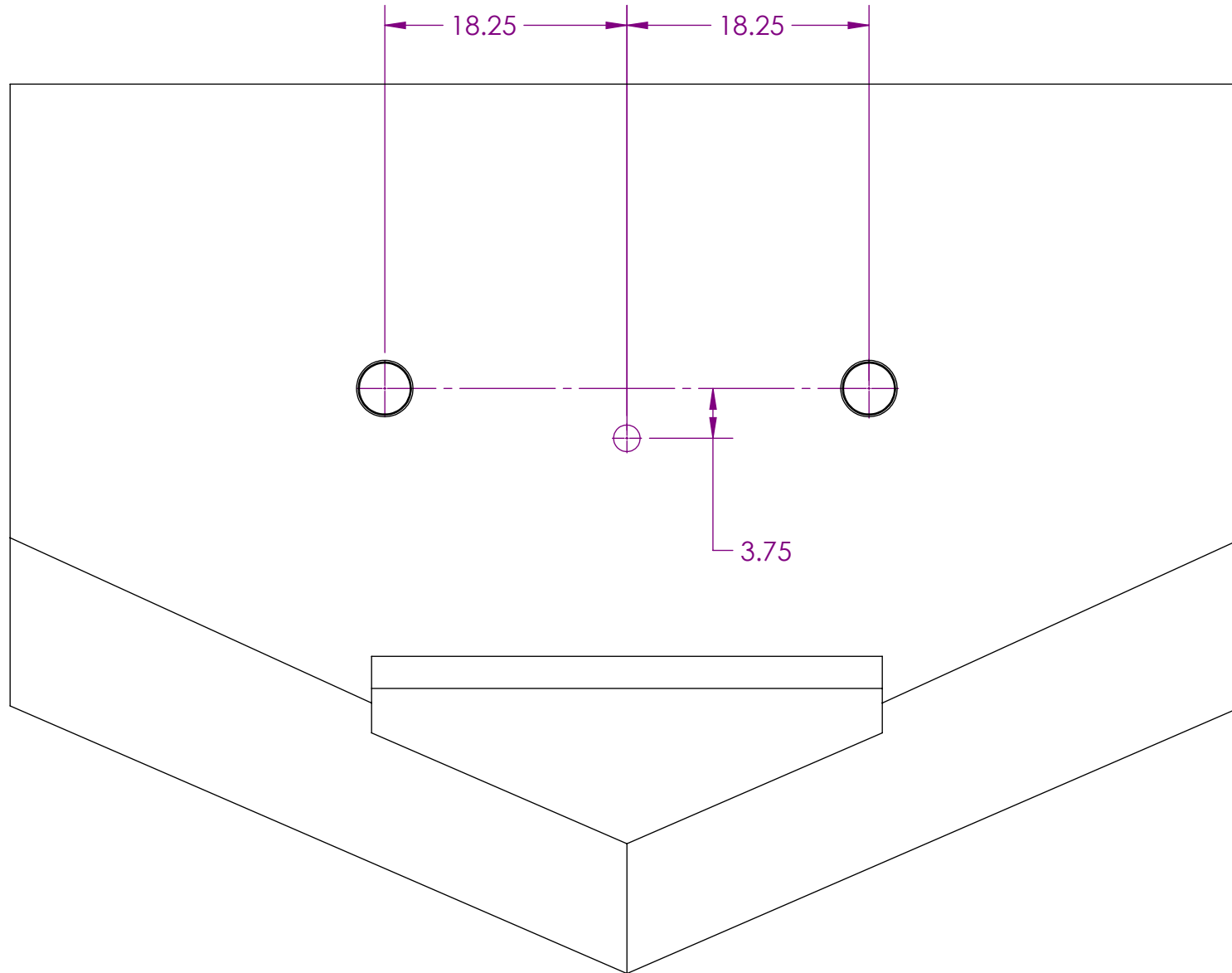
C

B

B

A

A



DEPARTMENT

CUSTOM MARINE INCORPORATED
NEENAH, WI

PREPARED	MJG	12/21/2021
CHECKED		
ENGINEER		

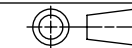
DESCR
**SWEPR MERC,S PIP BRAV OF TIPTL
HALLETT CUSTOM BOATS**

UNLESS OTHERWISE SPECIFIED
DIMENSIONS ARE IN INCHES
DIMENSIONAL TOLERANCING:
2 PLACE ±.03
3 PLACE ±.005
ANGLES ±1°

CUSTOM MARINE INCORPORATED RESERVES
PROPRIETARY RIGHTS TO THIS DRAWING AND
THE DATA SHOWN THEREON. SAID DRAWING
AND/OR DATA ARE CONFIDENTIAL AND ARE
NOT TO BE USED OR REPRODUCED FOR ANY
PURPOSE WITHOUT THE WRITTEN CONSENT
OF CUSTOM MARINE INCORPORATED.

SIZE B	WEIGHT LBS. 24.21	DWG. NO. 39693-1H	REV. A
------------------	-----------------------------	-----------------------------	------------------

**THIRD ANGLE
PROJECTION**



SCALE 1:12	MATERIAL: 304L	SHEET 5 OF 5
---------------	-------------------	-----------------

4

3

2

1