

4

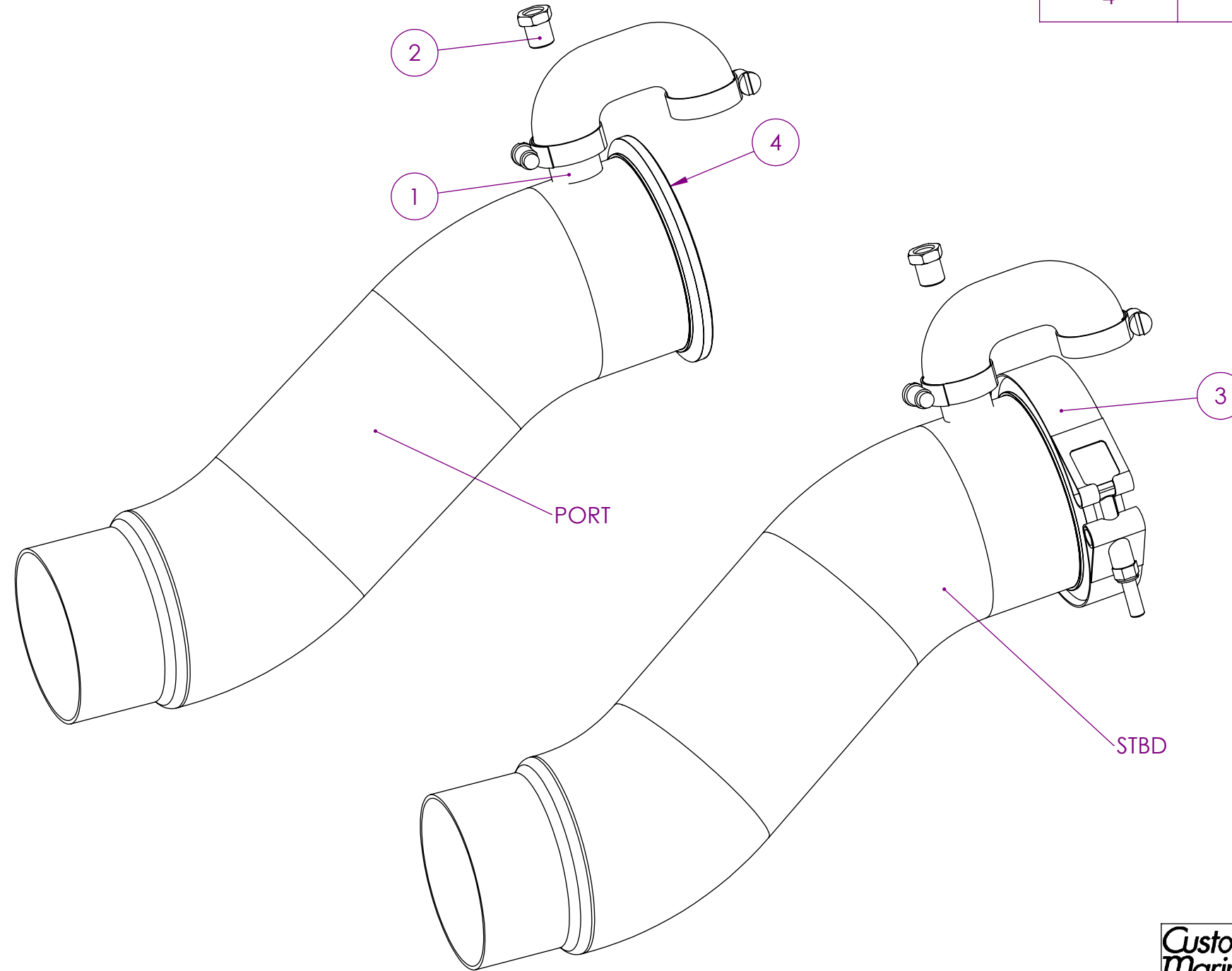
3

2

CMI MATERIAL NUMBER

ITEM NO.	PART NUMBER	DESCRIPTION	QTY.
1	18290	NIPPLE,316L,BEADED,1.13OD,.38-18,.91OAL	2
2	18320	RESTRICTOR,304L,THREAD,.69HEX,.38-18	2
3	36270	SWEEPER CLAMP KIT	2
4	42090	SWEEPER TAIL RING	2

***VIEW W/ CLAMP & GASKET REMOVED ON PORT TAIL



- NOTES:
 1. FINISH: POLISHED
 2. DRIVE: BRAVO (8.08" SETBACK)



DEPARTMENT

CUSTOM MARINE INCORPORATED
NEENAH, WI

PREPARED	MJG	12/21/2021
CHECKED		
ENGINEER		

DESCR.	MERC S-PIPE TIP TAIL ELIMINATOR BOATS		
--------	---------------------------------------	--	--

UNLESS OTHERWISE SPECIFIED
 DIMENSIONS ARE IN INCHES
 DIMENSIONAL TOLERANCING:
 2 PLACE ±.03
 3 PLACE ±.005
 ANGLES ±1°

CUSTOM MARINE INCORPORATED RESERVES PROPRIETARY RIGHTS TO THIS DRAWING AND THE DATA SHOWN THEREON. SAID DRAWING AND/OR DATA ARE CONFIDENTIAL AND ARE NOT TO BE USED OR REPRODUCED FOR ANY PURPOSE WITHOUT THE WRITTEN CONSENT OF CUSTOM MARINE INCORPORATED.

SIZE	WEIGHT LBS.	DWG. NO.	REV.
B	581.73	39579-1E	A

REVISIONS					
ECN #	REV.	DESCRIPTION	BY	CHK'D	DATE
ENG	A	MOVED FROM EX FOLDER TO PRODUCTION PARTS	MJG		12/21/2021

THIRD ANGLE PROJECTION

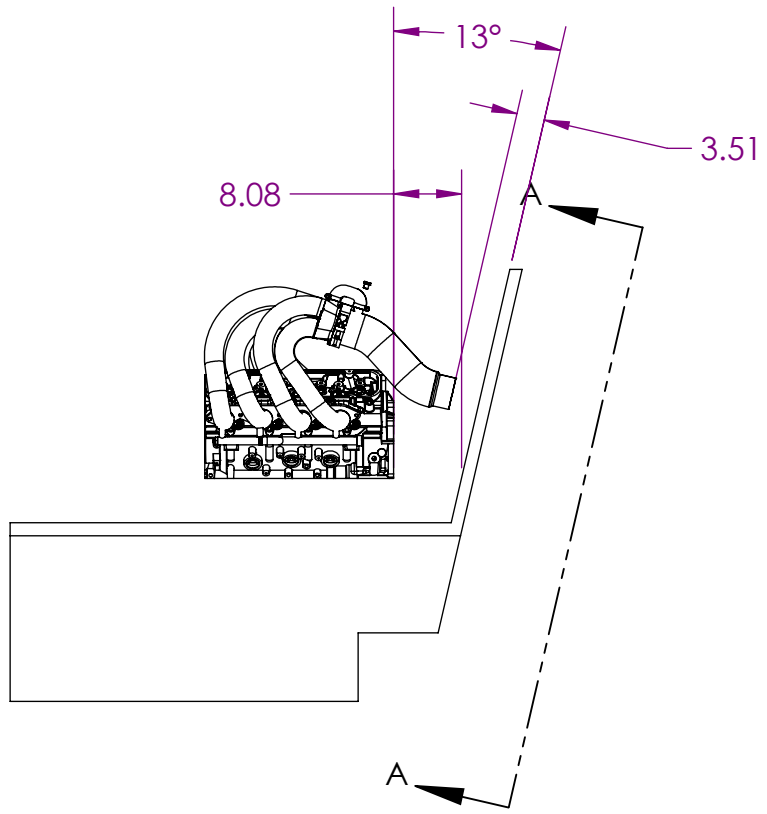
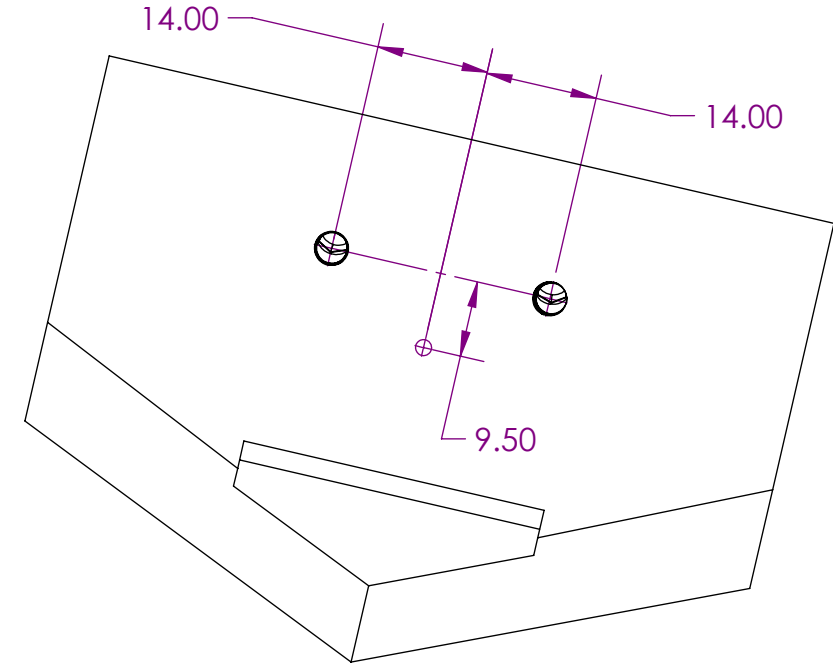
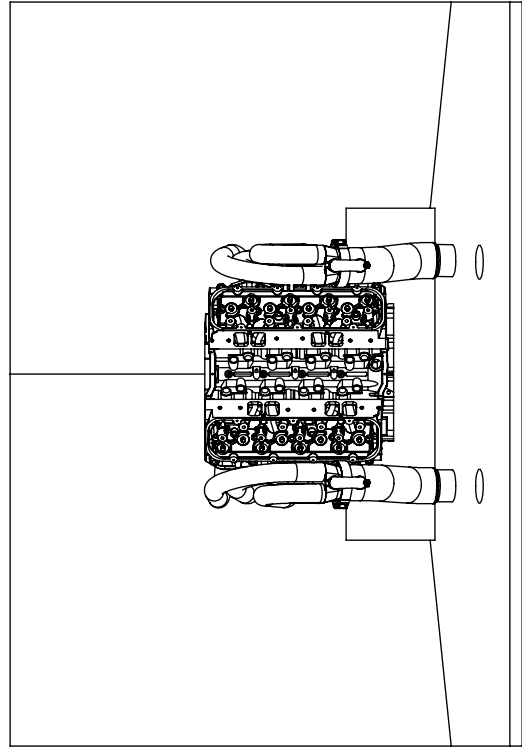
SCALE	1:3	MATERIAL:	304L	SHEET	1 OF 5
-------	-----	-----------	------	-------	--------


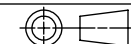
4

3

2

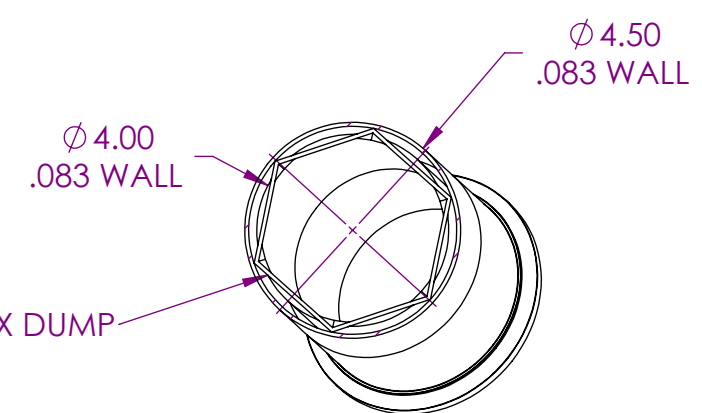
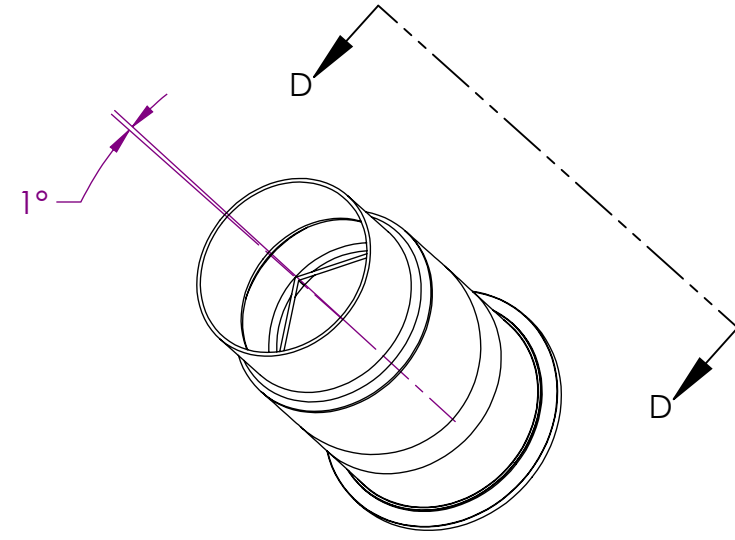
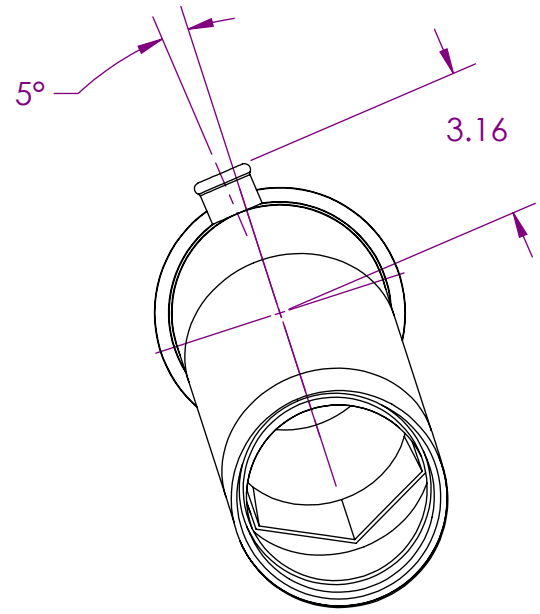
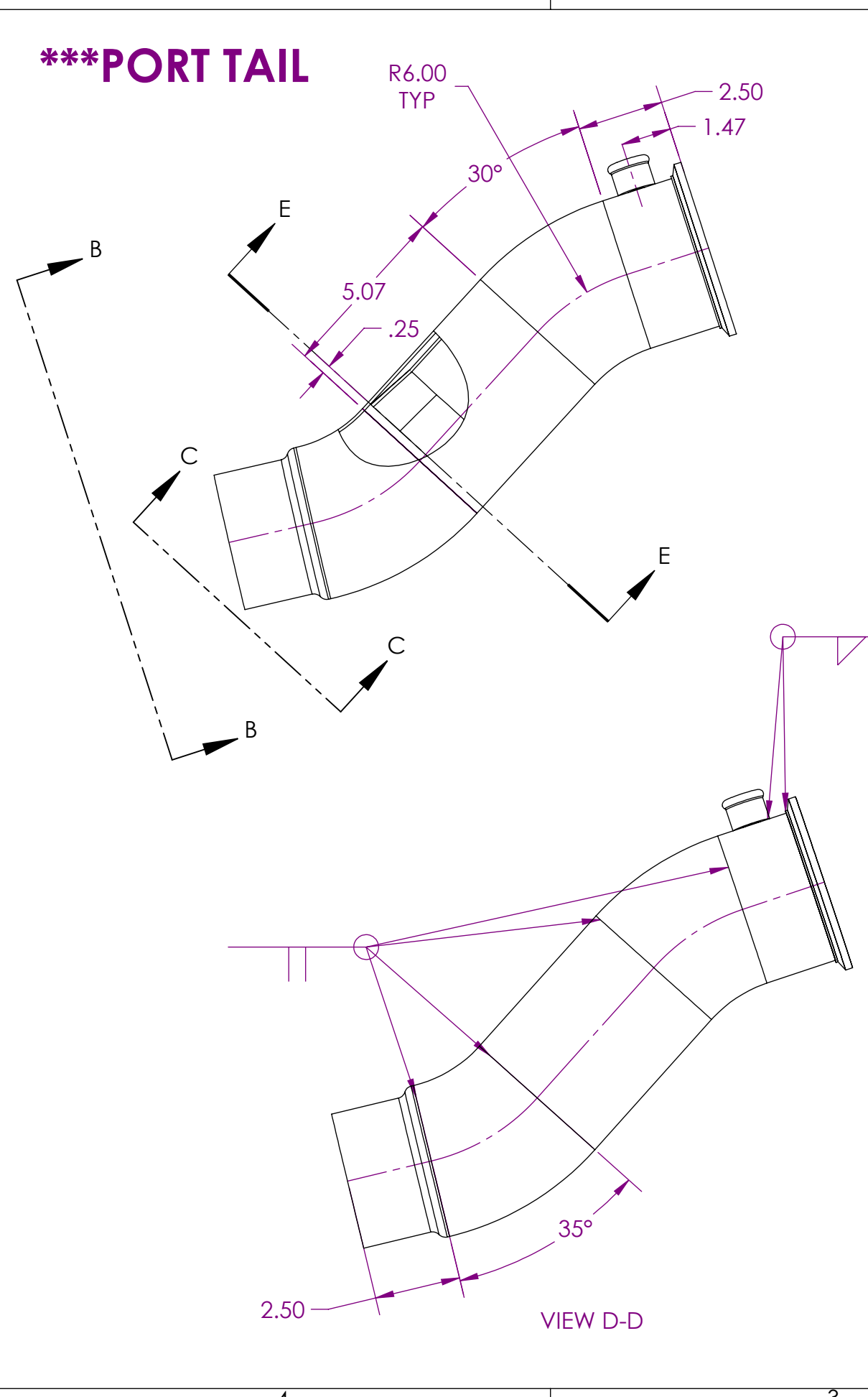
CMI MATERIAL NUMBER



	DEPARTMENT		CUSTOM MARINE INCORPORATED NEENAH, WI		
	PREPARED	MJG	12/21/2021	DESCR. MERC S-PIPE TIP TAIL ELIMINATOR BOATS	
<small>UNLESS OTHERWISE SPECIFIED DIMENSIONS ARE IN INCHES DIMENSIONAL TOLERANCING: 2 PLACE ±.03 3 PLACE ±.005 ANGLES ±1°</small>	CHECKED			SIZE B	WEIGHT LBS. 581.73
	ENGINEER			DWG. NO. 39579-1E	REV. A
<small>CUSTOM MARINE INCORPORATED RESERVES PROPRIETARY RIGHTS TO THIS DRAWING AND THE DATA SHOWN THEREON. SAID DRAWING AND/OR DATA ARE CONFIDENTIAL AND ARE NOT TO BE USED OR REPRODUCED FOR ANY PURPOSE WITHOUT THE WRITTEN CONSENT OF CUSTOM MARINE INCORPORATED.</small>			SCALE 1:24	MATERIAL: 304L	SHEET 2 OF 5
THIRD ANGLE PROJECTION 					

*****PORT TAIL**

D
C
B
A

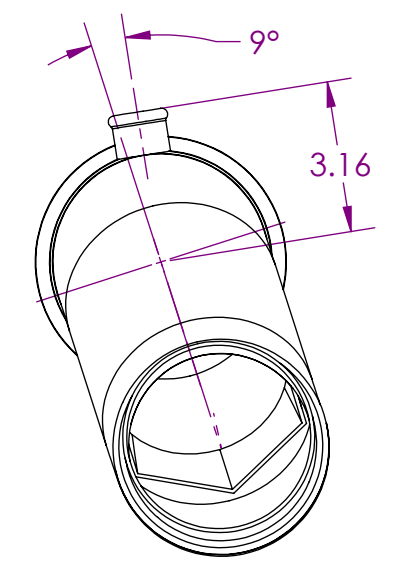
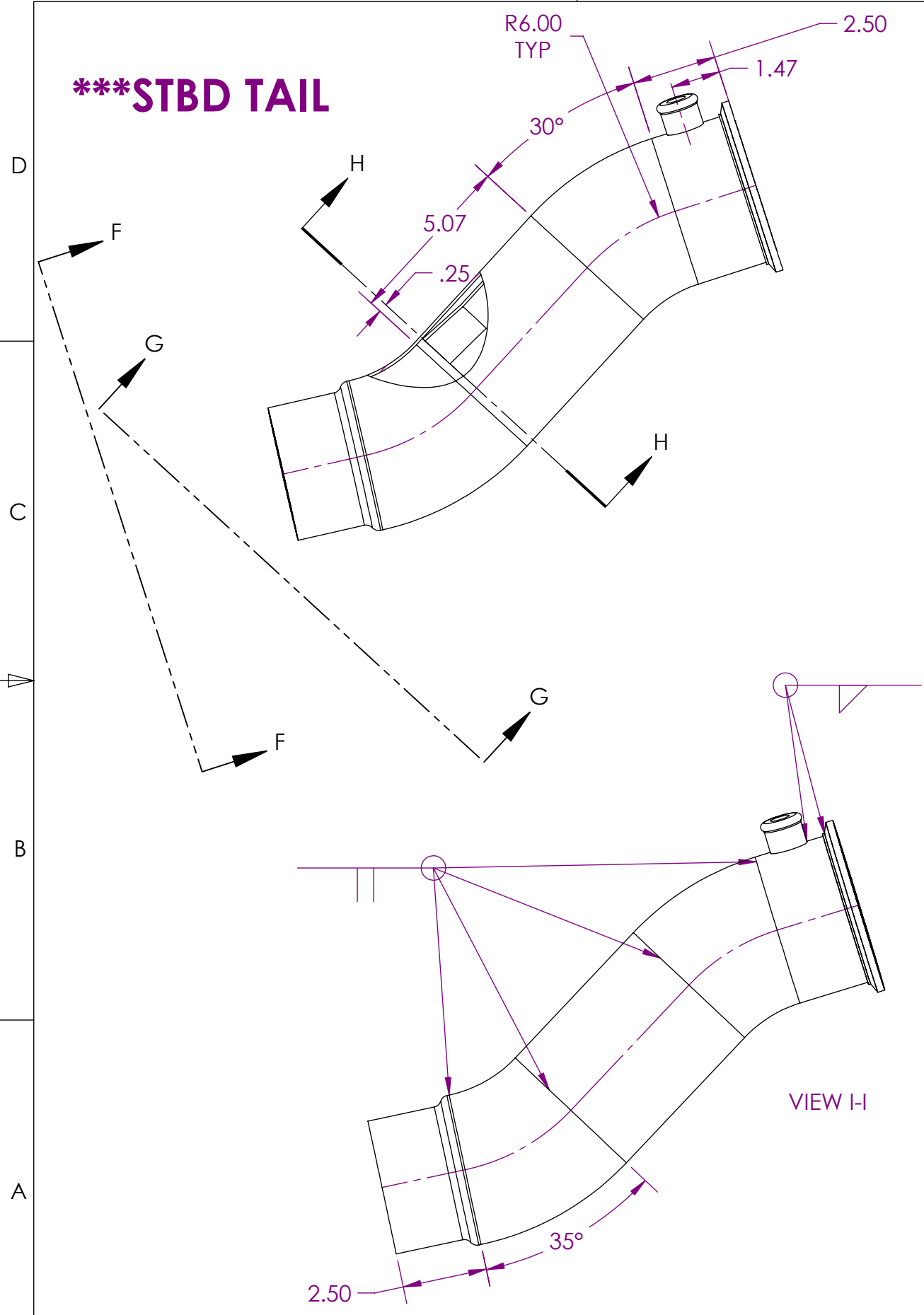


***NOTE ORIENTATION OF HEX DUMP

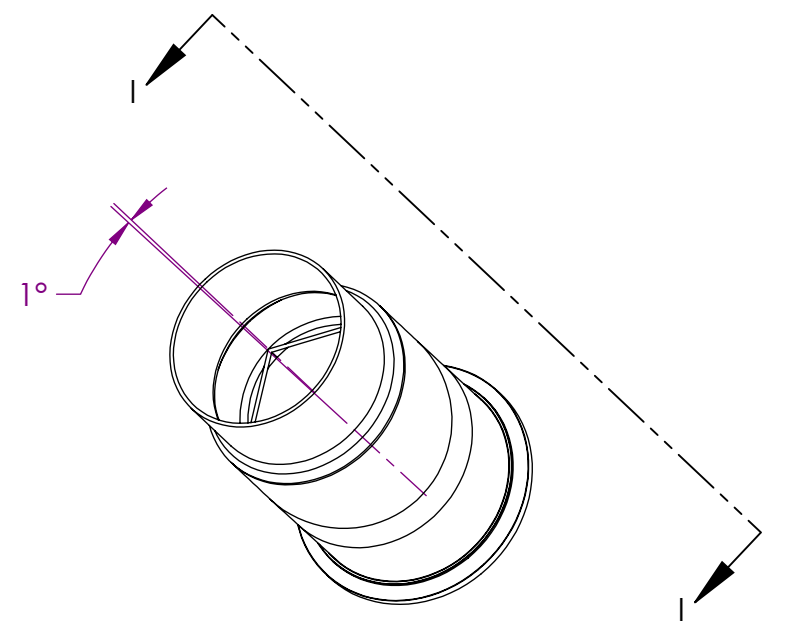
	DEPARTMENT		CUSTOM MARINE INCORPORATED NEENAH, WI		
	PREPARED	MJG	12/21/2021	DESCR. MERC S-PIPE TIP TAIL ELIMINATOR BOATS	
UNLESS OTHERWISE SPECIFIED DIMENSIONS ARE IN INCHES DIMENSIONAL TOLERANCING: 2 PLACE ±.03 3 PLACE ±.005 ANGLES ±1°	CHECKED			SIZE	REV. A
	ENGINEER			B	
	CUSTOM MARINE INCORPORATED RESERVES PROPRIETARY RIGHTS TO THIS DRAWING AND THE DATA SHOWN THEREON. SAID DRAWING AND/OR DATA ARE CONFIDENTIAL AND ARE NOT TO BE USED OR REPRODUCED FOR ANY PURPOSE WITHOUT THE WRITTEN CONSENT OF CUSTOM MARINE INCORPORATED.			WEIGHT LBS.	581.73
THIRD ANGLE PROJECTION			SCALE	1:4	MATERIAL: 304L
					SHEET 3 OF 5

D
C
B
A

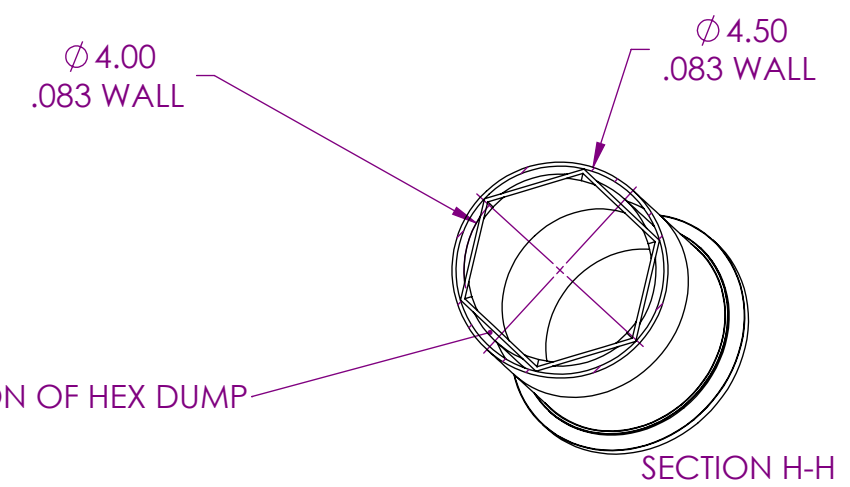
*****STBD TAIL**



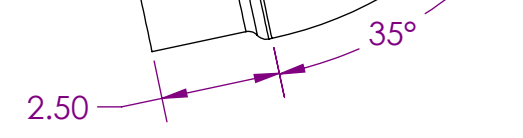
VIEW F-F



VIEW G-G



SECTION H-H



VIEW I-I

	DEPARTMENT		CUSTOM MARINE INCORPORATED			
	NEENAH, WI		DESCR. MERC S-PIPE TIP TAIL ELIMINATOR BOATS			
PREPARED MJG 12/21/2021 CHECKED ENGINEER	UNLESS OTHERWISE SPECIFIED DIMENSIONS ARE IN INCHES DIMENSIONAL TOLERANCING: 2 PLACE ±.03 3 PLACE ±.005 ANGLES ±1°	CUSTOM MARINE INCORPORATED RESERVES PROPRIETARY RIGHTS TO THIS DRAWING AND THE DATA SHOWN THEREON. SAID DRAWING AND/OR DATA ARE CONFIDENTIAL AND ARE NOT TO BE USED OR REPRODUCED FOR ANY PURPOSE WITHOUT THE WRITTEN CONSENT OF CUSTOM MARINE INCORPORATED.	SIZE B	WEIGHT LBS. 581.73	DWG. NO. 39579-1E	REV. A
THIRD ANGLE PROJECTION		SCALE 1:4	MATERIAL: 304L	SHEET 4 OF 5		

4

3

2

CMI MATERIAL NUMBER

D

D

C

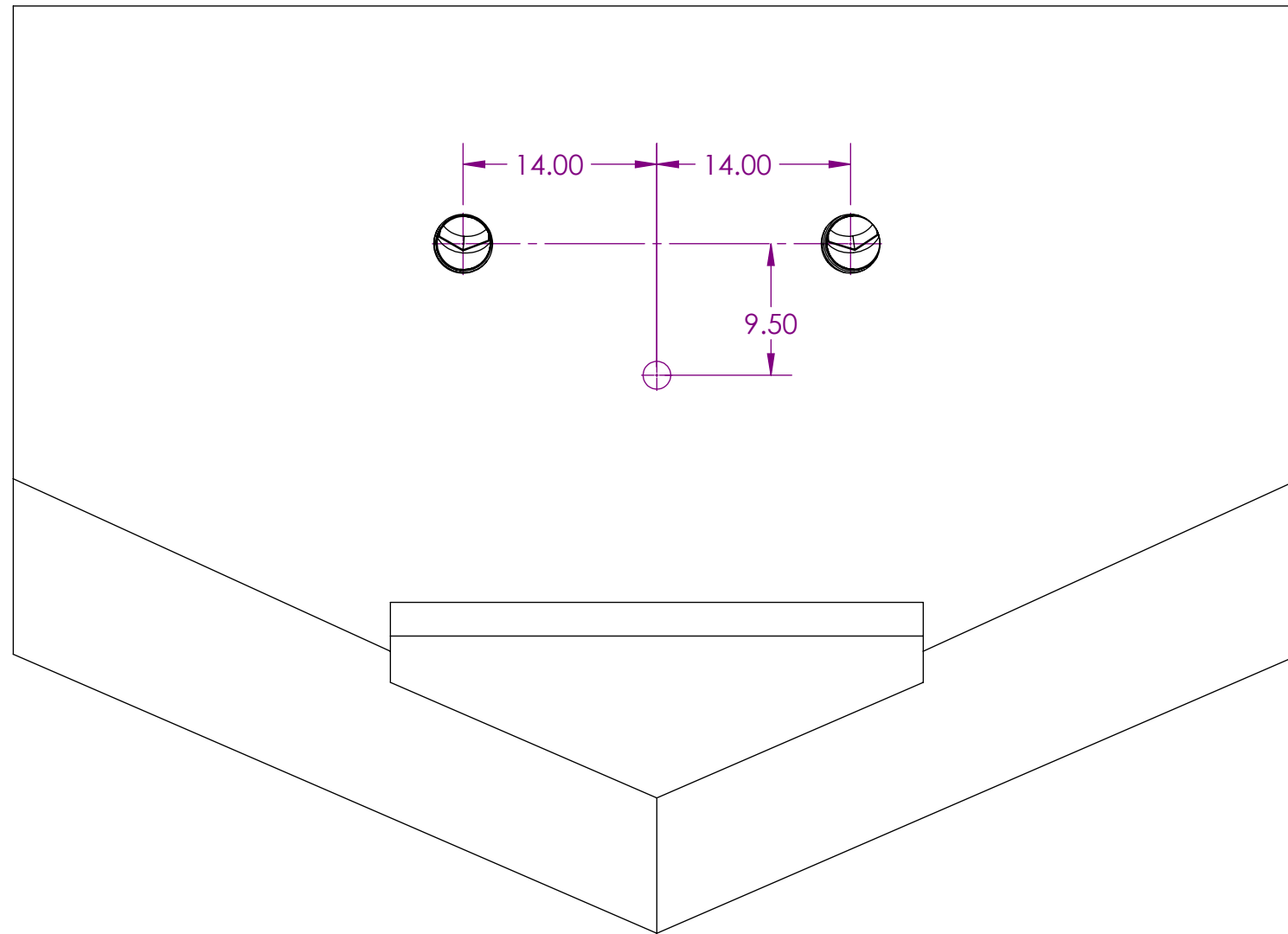
C

B

B

A

A



DEPARTMENT

CUSTOM MARINE INCORPORATED
NEENAH, WI

PREPARED	MJG	12/21/2021
CHECKED		
ENGINEER		

DESCR. **MERC S-PIPE TIP TAIL ELIMINATOR BOATS**

UNLESS OTHERWISE SPECIFIED
DIMENSIONS ARE IN INCHES
DIMENSIONAL TOLERANCING:
2 PLACE ±.03
3 PLACE ±.005
ANGLES ±1°

CUSTOM MARINE INCORPORATED RESERVES PROPRIETARY RIGHTS TO THIS DRAWING AND THE DATA SHOWN THEREON. SAID DRAWING AND/OR DATA ARE CONFIDENTIAL AND ARE NOT TO BE USED OR REPRODUCED FOR ANY PURPOSE WITHOUT THE WRITTEN CONSENT OF CUSTOM MARINE INCORPORATED.

SIZE B	WEIGHT LBS. 581.73	DWG. NO. 39579-1E	REV. A
------------------	------------------------------	-----------------------------	------------------

THIRD ANGLE PROJECTION

SCALE 1:12	MATERIAL: 304L	SHEET 5 OF 5
---------------	-------------------	-----------------

4

3

2

1